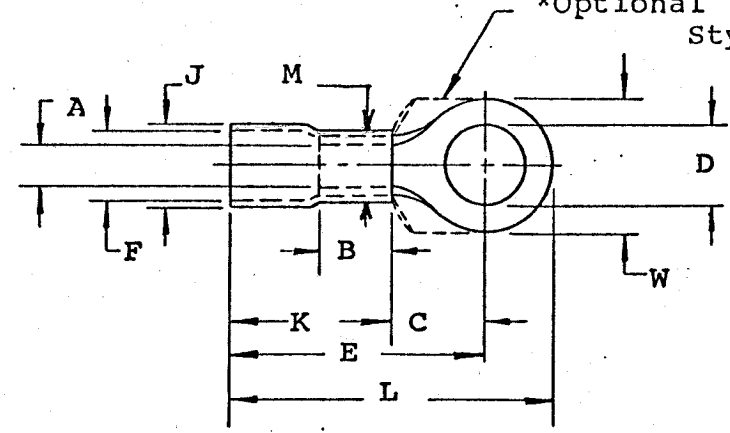


MATERIAL: Copper
 PLATING: Electro-Tin (.0003 Min.)
 INSULATION: PVC COLOR CODED RED
 STUD SIZES: ("D" ±.005)

INSULKRIMP X

*Optional Style



"M" = .630" Maximum

- 10 - .198
- 14 - .265
- 56 - .328
- 38 - .390
- 76 - .453
- 12 - .515
- 58 - .656
- 34 - .781

Part Number	"W"	"C" Min.	"E" Max.	"K" Max.	"L" Max.	"A" Min. Avg.	"F" (MWID)	Stock Thickness	"J" Max.	"B" Min.	Available Stud Size
G-674-X	.893 .867	.693	1.803	1.065	2.234	.355	.650	.075	.760	.490	14, 56, 38, 76 12, 58
G-675-X	.643 .617	.693	1.803	1.065	2.110	.355	.650	.075	.760	.490	10, 14, 56, 38 76
G-676-X	.893 .867	.990	2.090	1.065	2.527	.355	.650	.075	.760	.490	14, 56, 38, 76 12, 58
G-677-X	1.268 1.242	.990	2.090	1.065	2.685	.355	.650	.075	.760	.490	14, 56, 38, 76 12, 58, 34

NOTE: (MWID) denotes maximum wire insulation diameter.



TITLE: CUSTOMER DRAWING
 #2 WIRE SIZE (G)
 RING TONGUE TERMINAL

DIMENSIONAL TOLERANCE UNLESS OTHERWISE SPECIFIED		
FRAC.	DEC.	ANG.
±	±	±

REVISION	SCALE: _____	DATE
	DRWN. BY: JTK	1-21-70
	CHKD. BY:	
	APPRD. BY:	
	DRAWING NO.:	