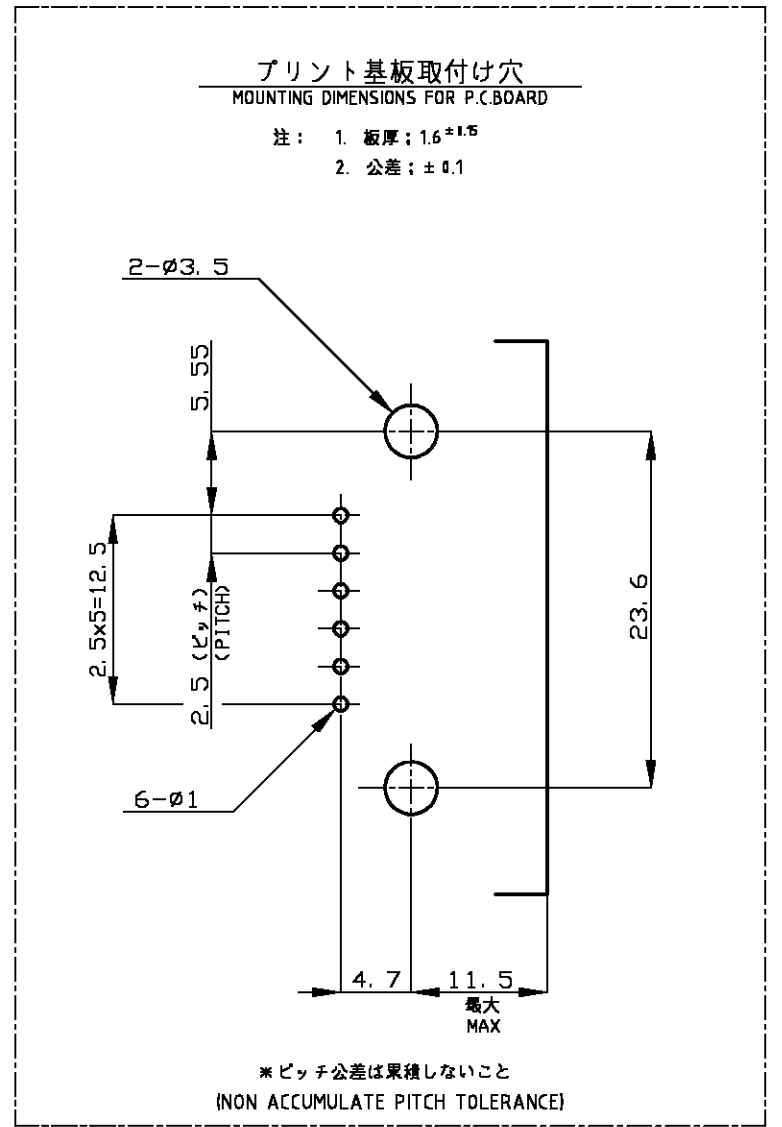
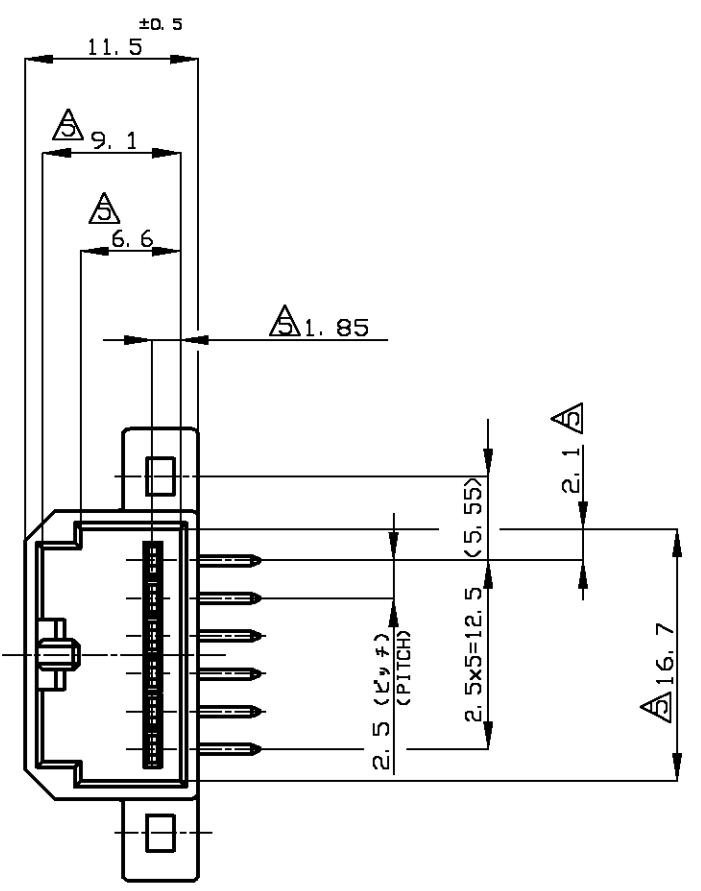
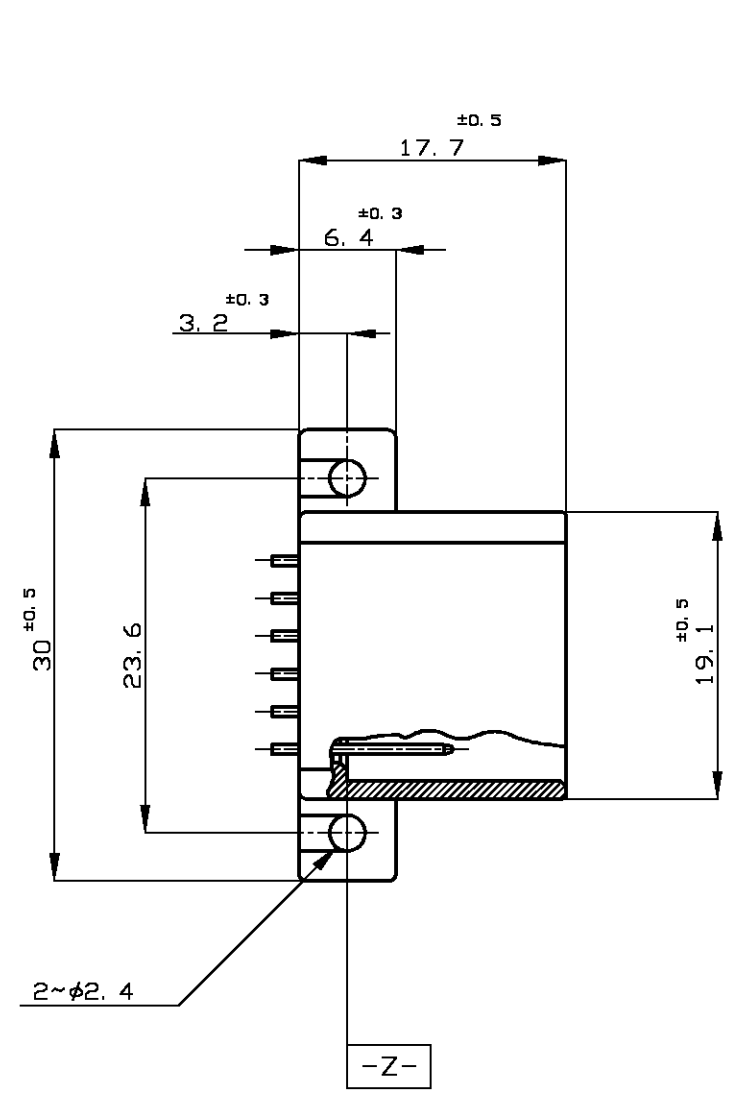


THIS DRAWING IS UNPUBLISHED. RELEASED FOR PUBLICATION
 © COPYRIGHT BY TYCO ELECTRONICS CORPORATION. ALL RIGHTS RESERVED.

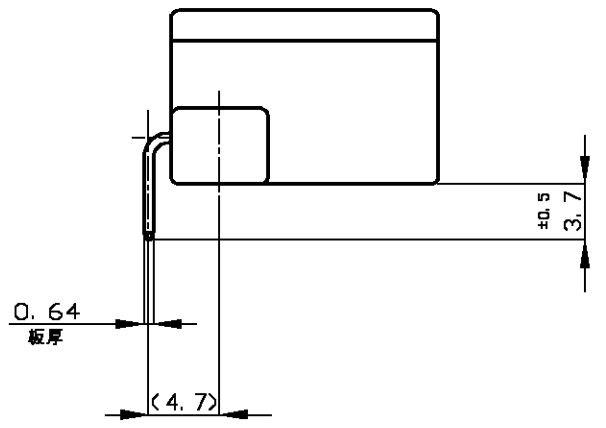
LOC	DIST	REVISIONS					
J	-	P	LTR	DESCRIPTION	DATE	DWN	APVD
		A1	ECR-05-011876		13OCT05	MK	KB



- NOTES:
1. APPLICABLE P. C. B BOARD THICKNESS; 1.6mm
 2. RECOMMENDED MOUNTING SCREW 3mm DIA 6mm LENGTH (MIN) TAPPING SCREW SPECIFIED IN JIS B1115, B1122 (TIGHTENING TORQUE; 4Kg-cm MAX)
 3. THE MATING PLUG HSG. PART NUMBER; 175507
 4. APPLICABLE PRODUCT SPEC NO.; 108-5281
- △ TO BE MEASURED WITHIN 2mm FROM -Z-

- 注:
1. 適用プリント基板厚: 1.6mm
 2. 推奨取付ネジ: JIS B1115, B1122 タッピングネジ, ナベ2種 呼び径3, 長さ6mm以上 (締付トルク: 4Kg-cm以下)
 3. 嵌合相手ハウジング: 175507
 4. 適用製品規格番号: 108-5281
- △ -Z- 面より2mmの範囲で測定

SELECTIVE-TIN (MATTE)	SELECTIVE-TIN (BRIGHT)	黒 (BLACK)	175506-8
PRE-TIN		黒 (BLACK)	175506-2
半田付け部 SOLDERING SIDE	接触部側 CONTACT SIDE	色 (COLOR)	P/N
CONTACT 仕上げ FINISH OF CONTACT			



一般公差

0 < x ≤ 10	±0.2
10 < x ≤ 30	±0.25
30 < x ≤ 100	±0.3
角 度	±3°

THIS DRAWING IS A CONTROLLED DOCUMENT.

DIMENSIONS: 単位: 耗 mm	TOLERANCES UNLESS OTHERWISE SPECIFIED: 一般公差
0 PLC ±	1 PLC ±
2 PLC ±	3 PLC ±
4 PLC ±	ANGLES ±
MATERIAL 材料	FINISH 仕上
HOUSING; PBT	CONTACT; BRASS

DWN M.KADOSAKI 13OCT05	Tyco Electronics AMP K.K. Kawasaki, Japan
CHK T.SHINOHARA 13OCT05	
APVD K.BETSUI 13OCT05	
PRODUCT SPEC 製品規格	NAME 名称
APPLICATION SPEC 取付適用規格	6pos. CAP HSG ASS'Y (HORIZONTAL TYPE) .040 SERIES MULTI-LOCK I/O CONN. (NON INERTIA TYPE)
WEIGHT	SIZE A3
CUSTOMER DRAWING	CAGE CODE 00779
	DRAWING NO 175506
	RESTRICTED TO
	SCALE 尺度 2:1
	SHEET 1 OF 1
	REV A1