

THIS DRAWING IS UNPUBLISHED. RELEASED FOR PUBLICATION

© COPYRIGHT - By - TE CONNECTIVITY ALL RIGHTS RESERVED.

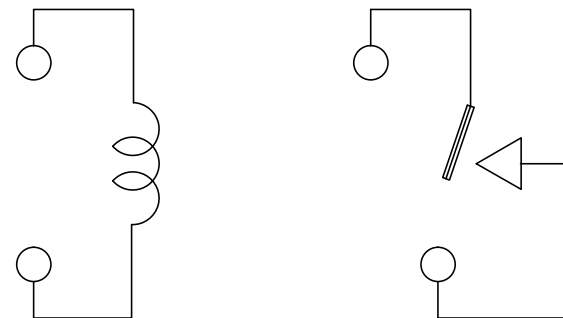
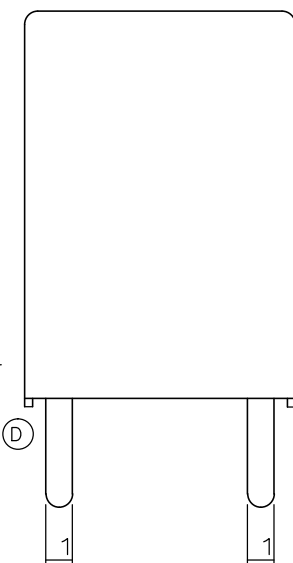
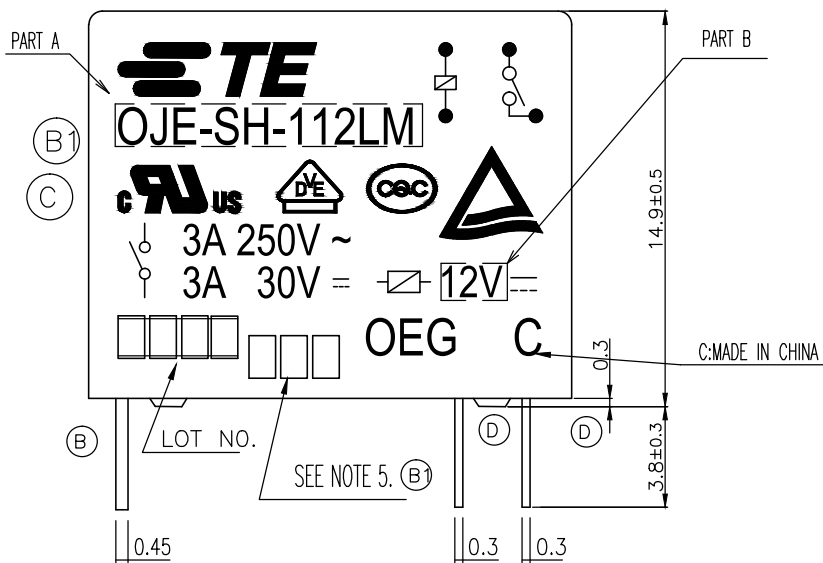
LOC HB DIST -

REVISIONS

P	LTR	DESCRIPTION	DATE	DWN	APVD
D		REMOVED THE RIB ON THE BASE TO CASE ECO-15-011310	03DEC2015	YS.H	CHL

D
C
B
A

D
C
B
A



CONNECTION FIGURE

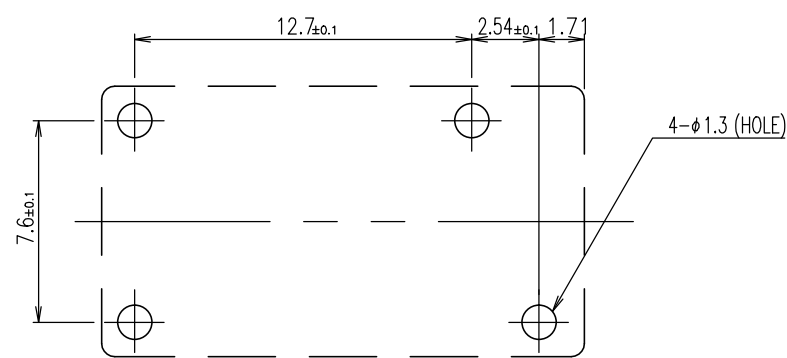
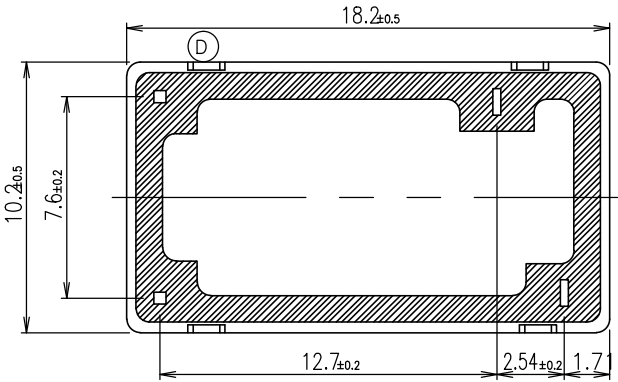


FIGURE FOR PRINTED CIRCUIT BOARD PROCESSING (BOTTOM VIEW)



THIS DRAWING IS A CONTROLLED DOCUMENT.		DWN H.Sasaki -	TE Connectivity			
DIMENSIONS: mm		CHK Y.Oikawa -				NAME
TOLERANCES UNLESS OTHERWISE SPECIFIED:		APVD A.Nagai -	OJE-SH-LM SPEC 000 CUSTOMER DRAWING			
<ul style="list-style-type: none"> 0 PLC ± - 1 PLC ± - 2 PLC ± - 3 PLC ± - 4 PLC ± - ANGLES ± - 		PRODUCT SPEC -	RESTRICTED TO -			
MATERIAL -		APPLICATION SPEC -	SIZE A3	CAGE CODE 00779	DRAWING NO. 1461401	SCALE 5:1
FINISH -		WEIGHT -	SHEET 1 OF 2		REV D	
CUSTOMER DRAWING						

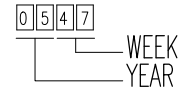
THIS DRAWING IS UNPUBLISHED. RELEASED FOR PUBLICATION - , - .
 © COPYRIGHT - By - TE CONNECTIVITY ALL RIGHTS RESERVED.

LOC	DIST	REVISIONS					
HB	-	P	LTR	DESCRIPTION	DATE	DWN	APVD
		-		SEE SHEET 1	-	-	-

ACTIVE	1461401-4	OJE-SH-124LM, 000	107-79010	24V	OJE-SH-124LM	f
ACTIVE	1461401-5	OJE-SH-112LM, 000	107-79010	12V	OJE-SH-112LM	e
(B) OBSOLETE	1461401-1	OJE-SH-109LM, 000	107-79010	9V	OJE-SH-109DM	d
(B) OBSOLETE	1461401-3	OJE-SH-106LM, 000	107-79010	6V	OJE-SH-106LM	c
ACTIVE	1461401-2	OJE-SH-105LM, 000	107-79010	5V	OJE-SH-105LM	b
(B) OBSOLETE	1461401-6	OJE-SH-103LM, 000	107-79010	3V	OJE-SH-103LM	a
PART STATUS	TE PART NO	DESCRIPTION	PACKAGE SPEC	PART B	PART A	TYPE

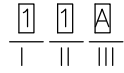
RELAY TYPE

(B) (A) NOTES:
 1. LOT NO. SYSTEM AS FOLLOWING:



- (B) 2. TERMINAL DIMENSION IS BEFORE SOLDER DIP;
- (B) 3. FOR THE TIN-PLATING OF THE PINS:
 +0.1mm FOR WIDTH, THICKNESS AND DIAMETER.
 +0.5mm FOR LENGTH.
- (B) 4. USED WELDED CONTACT & LASER MARKING.

(B) 5. ADD LOT NO. SYSTEM AS FOLLOWING;



- I, DIGITS FOR DAY OF THE WEEK
 1...MONDAY IN THIS WEEK;
 2...TUESDAY IN THIS WEEK;

 7...SUNDAY IN THIS WEEK
- II, DIGITS FOR SHIFT OF THE DAY
 1...DAY SHIFT IN THIS DAY;
 2...NIGHT SHIFT IN THIS DAY;
- III, ONE CHARACTER DISTINGUISH THE LINE
 IDENTITY, SUCH AS: A,B,....Z

		UV RESIN	SEAL (VENT HOLE)	16
		EPOXY RESIN	SEAL (BASE & BOBBIN)	15
		3UEW	MAGNETIC WIRE	14
94V-0		P.B.T	CASE	13
94V-0		P.B.T	BASE	12
94V-0		P.B.T	BOBBIN	11
	SOLDER DIP	C.P WIRE	COIL TERMINAL	10
94V-0		P.P.S	CARD	9
		Ag	MOVABLE CONTACT	8
		Ag	NO.CONTACT	7
		STEEL	HINGE SPRING	6
	SOLDER DIP	Cu ALLOY	NO.TERMINAL	5
	SOLDER DIP	Cu ALLOY	MOVABLE SPRING	4
	NIP	STEEL	CORE	3
	NIP	STEEL	ARMATURE	2
	NIP	STEEL	YOKE	1
INCOMBUSTIBILITY	TREATMENT	MATERIAL	DESCRIPTION	ITEM

THIS DRAWING IS A CONTROLLED DOCUMENT.		DWN	H.Sasaki	-
DIMENSIONS: mm		CHK	Y.Oikawa	-
TOLERANCES UNLESS OTHERWISE SPECIFIED:		APVD	A.Nagai	-
	0 PLC	±	-	PRODUCT SPEC APPLICATION SPEC WEIGHT CUSTOMER DRAWING
	1 PLC	±	-	
	2 PLC	±	-	
	3 PLC	±	-	
	4 PLC	±	-	
	ANGLES	±	-	
MATERIAL	FINISH	NAME OJE-SH-LM SPEC 000 CUSTOMER DRAWING		
		SIZE	CAGE CODE	DRAWING NO
		A3	00779	1461401
		RESTRICTED TO		
		SCALE	SHEET	REV
		5:1	2 OF 2	D