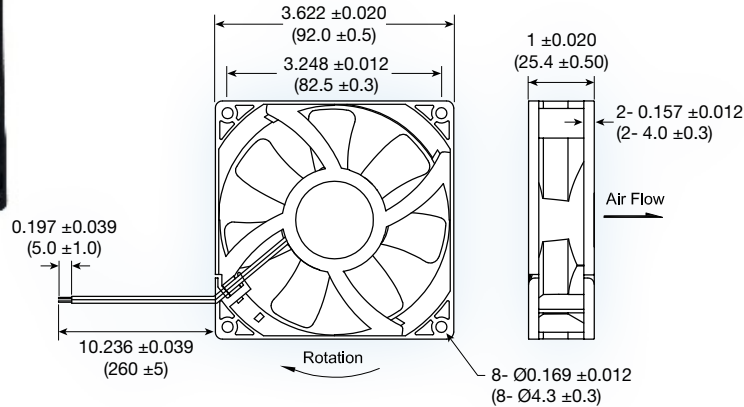
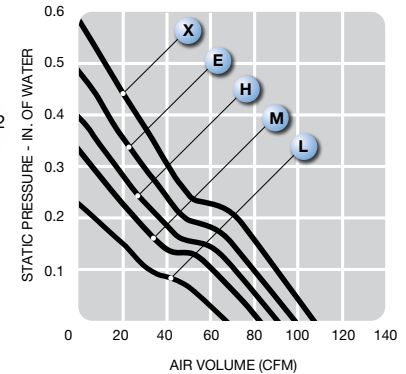


# MR9225 series



**(92 x 92 x 25 mm)**

3.62 x 3.62 x 0.98 inches



**Features:** soft start, polarity protection, auto-restart

**Operating Voltage:** 24 VDC

**Construction:** UL94V-0 plastic impeller and frame

**Bearing option:** ball bearing or sleeve

**Air Flow:** air exhaust over struts

**Options:** tachometer output or locked rotor alarm signal; PWM speed control

Model No.	Rated Voltage VDC	Current A 24	Speed RPM	Air Volume		Max. Static Pressure (H <sub>2</sub> O)		Sound Noise dB <sub>A</sub>	Weight g
				M <sup>3</sup> /Min.	CFM	MM	INCH		
MR9225L	24	0.11	3,000	1.91	68	5.91	0.23	40.9	120
MR9225M	24	0.19	3,600	2.28	81	8.42	0.33	45.1	120
MR9225H	24	0.25	4,000	2.53	90	10.35	0.40	48.0	120
MR9225E	24	0.31	4,400	2.77	99	12.46	0.49	50.8	120
MR9225X	24	0.42	4,800	3.02	107	14.78	0.58	53.0	120