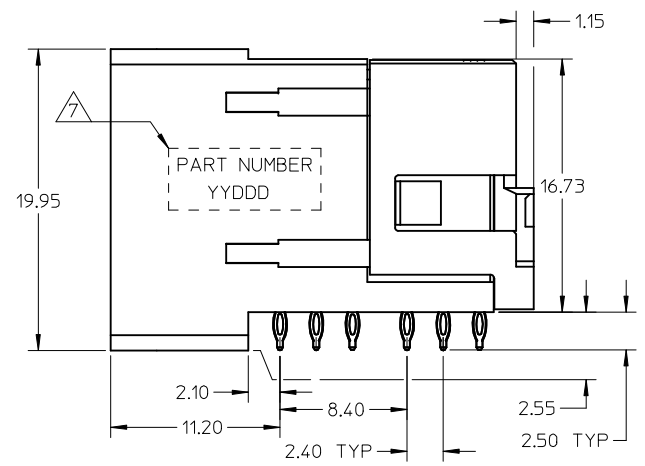
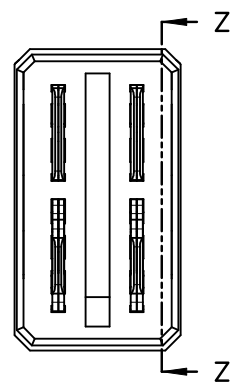
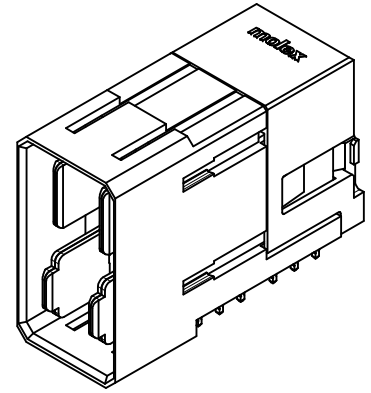
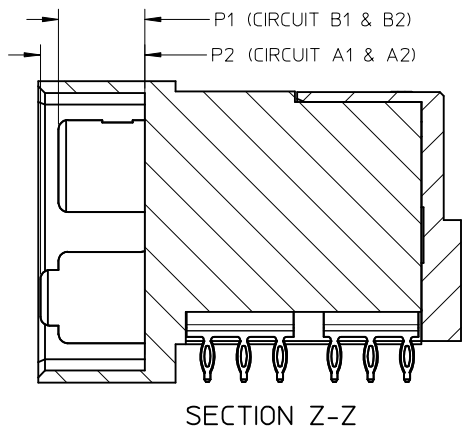
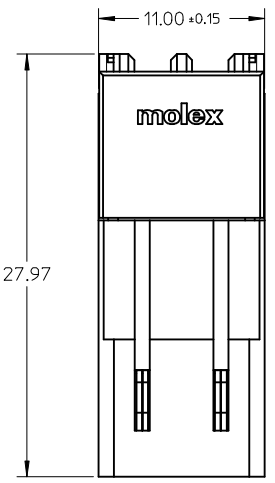
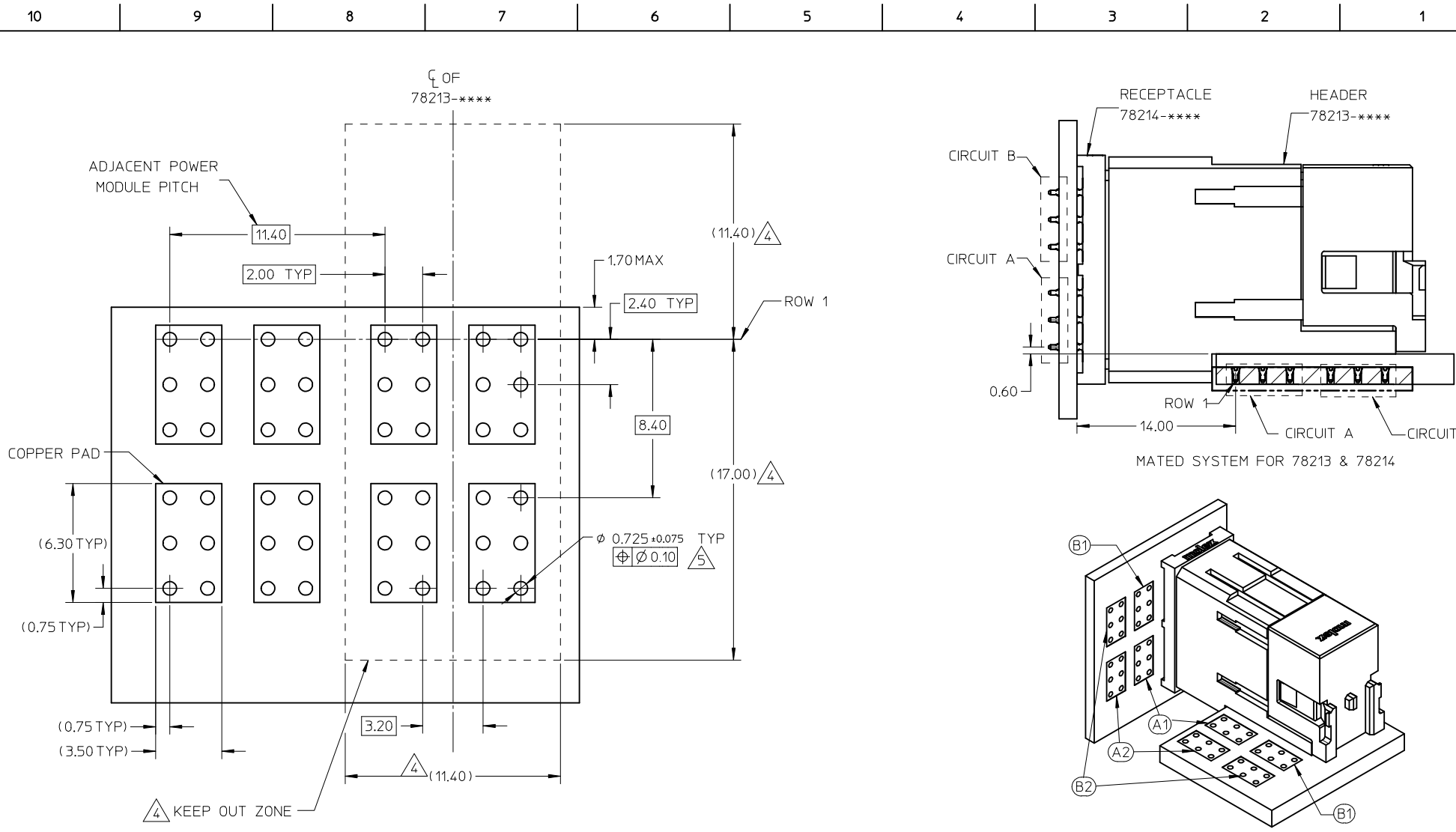


10 9 8 7 6 5 4 3 2 1



REVISED EC NO: S2010-0157 DRW:CTCH CHKD:LN APPR:SHONG 2009/09/03 2009/09/04 2009/09/04	QUALITY SYMBOLS ▽=0 ◻=0	GENERAL TOLERANCES (UNLESS SPECIFIED) mm INCH 4 PLACES ± --- ± --- 3 PLACES ± --- ± --- 2 PLACES ± 0.25 ± --- 1 PLACE ± --- ± --- ANGULAR ± 3 °	DIMENSION STYLE MM ONLY DRAWN BY: LNG DATE: 2007/11/02 CHECKED BY: KWLOKE DATE: 2008/01/11 APPROVED BY: SHONG DATE: 2008/01/11	SCALE NTS DESIGN UNITS METRIC THIRD ANGLE PROJECTION	TITLE IMPACT POWER, 4 PAIR RIGHT ANGLE HEADER PRESS-FIT MOLEX INCORPORATED
	DRAFT WHERE APPLICABLE MUST REMAIN WITHIN DIMENSIONS	MATERIAL NO. SEE TABLE	DOCUMENT NO. SD-78213-003	SHEET NO. 1 OF 3	
	SIZE A3	THIS DRAWING CONTAINS INFORMATION THAT IS PROPRIETARY TO MOLEX INCORPORATED AND SHOULD NOT BE USED WITHOUT WRITTEN PERMISSION			
	REV A2	DESCRIPTION			

9 8 7 6 5 4 3 2 1



RECOMMENDED PCB LAYOUT  
(COMPONENT SIDE SHOWN)  
MINIMUM BOARD THICKNESS: 1.60mm  
RECOMMENDED BOARD THICKNESS: 2.80mm

REVISED	EC NO: S2010-0157	2009/09/03	2009/09/04	2009/09/04
DRW:CTCH	CHKD:LN	APPR:SHONG		
A2				

QUALITY SYMBOLS	DESCRIPTION
$\nabla=0$	
$\square=0$	

GENERAL TOLERANCES (UNLESS SPECIFIED)	
	mm INCH
4 PLACES	$\pm$ --- $\pm$ ---
3 PLACES	$\pm$ --- $\pm$ ---
2 PLACES	$\pm 0.25$ $\pm$ ---
1 PLACE	$\pm$ --- $\pm$ ---
ANGULAR $\pm 3^\circ$	
DRAFT WHERE APPLICABLE MUST REMAIN WITHIN DIMENSIONS	

DIMENSION STYLE	
MM ONLY	
DRAWN BY	DATE
LNG	2007/11/02
CHECKED BY	DATE
KWLOKE	2008/01/11
APPROVED BY	DATE
SHONG	2008/01/11
MATERIAL NO.	
SEE TABLE	
SIZE	
A3	

SCALE	DESIGN UNITS	THIRD ANGLE PROJECTION
NTS	METRIC	
TITLE		
IMPACT POWER, 4 PAIR RIGHT ANGLE HEADER PRESS-FIT		
MOLEX INCORPORATED		
DOCUMENT NO.	SHEET NO.	
SD-78213-003	2 OF 3	
THIS DRAWING CONTAINS INFORMATION THAT IS PROPRIETARY TO MOLEX INCORPORATED AND SHOULD NOT BE USED WITHOUT WRITTEN PERMISSION		

10	9	8	7	6	5	4	3	2	1	
PART NUMBER	P1 (APPLIES TO B1 & B2)	P2 (APPLIES TO A1 & A2)	△ PLATING OPTIONS	PACKAGING						
78213-1011	6.90	6.90	TIN PLATING	TRAY						
78213-1022	5.70	5.70								
78213-1033	6.90	5.70								
78213-1044	5.70	6.90								
78213-5011	6.90	6.90	TIN-LEAD PLATING							
78213-5022	5.70	5.70								
78213-5033	6.90	5.70								
78213-5044	5.70	6.90								

NOTES:

1. MATERIAL:

HOUSING - LCP, GLASS FILLED, UL94-V0, COLOR: BLACK  
POWER PIN - COPPER ALLOY

2. FINISH OPTION:

TIN - 0.76μm MINIMUM GOLD AT CONTACT AND  
2.54μm MINIMUM TIN AT SOLDERTAIL AREA OVER  
1.27μm MINIMUM NICKEL UNDERPLATE OVERALL.  
TIN-LEAD - 0.76μm MINIMUM GOLD AT CONTACT AND  
2.54μm MINIMUM TIN-LEAD AT SOLDERTAIL AREA OVER  
1.27μm MINIMUM NICKEL UNDERPLATE OVERALL.

3. PRODUCT SPECIFICATION: PS-78213-001.

4. KEEP OUT ZONE FROM OTHER COMPONENTS.

5. PCB NOTE FOR DIAMETER 0.725mm PLATED HOLE.

- DRILLED HOLE SIZE IS 0.838mm  
- PLATED WITH 0.007mm MIN. TIN OVER  
0.03 TO 0.08mm COPPER UNDERPLATE TO ACHIEVE  
0.725±0.075mm HOLE.  
SEE SHEET 2 FOR RECOMMENDED PCB LAYOUT.

6. MATES WITH 78214-\*\*\*\*.

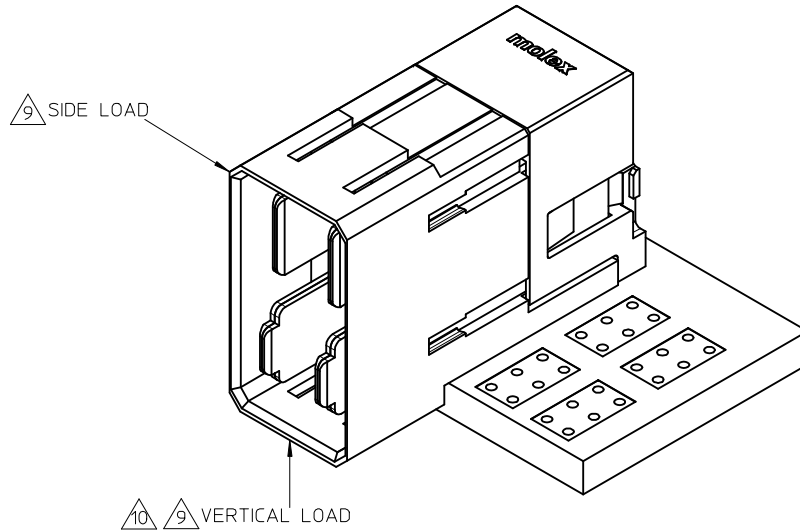
7. PART NUMBER AND DATE CODE (YYDD) APPROXIMATELY SHOWN.

8. REFER TO SERIES 76155 & 76160 FOR SIGNAL MODULES.

9. CONNECTOR-TO-PCB RETENTION FORCE SHALL WITHSTAND  
A VERTICAL AND SIDE LOAD OF 3KGF AND 4KGF MAXIMUM  
RESPECTIVELY.

10. FOR APPLICATION USING LESS THAN 2.80MM PCB THICKNESS,  
DO NOT PLACE PCBA (ASSEMBLED WITH CONNECTOR) ON A FLAT  
SURFACE. THIS IS TO PREVENT EXERTING VERTICAL LOAD  
(WEIGHT OF PCBA) ON CONNECTOR OVERHANG.

11. FOR APPLICATION THAT REQUIRES MORE CONNECTOR-TO-PCB  
RETENTION FORCE, PLEASE CONTACT MOLEX SALE TECHNICAL  
PERSONNEL FOR RECOMMENDATION.



REVISED EC NO: S2010-0157 DRW:CTCHO CHKD:LLG APPR:SHONG REV	2009/09/03	2009/09/04	2009/09/04	QUALITY SYMBOLS	GENERAL TOLERANCES (UNLESS SPECIFIED)	DIMENSION STYLE		SCALE	DESIGN UNITS	THIRD ANGLE PROJECTION			
				▽=0 ∇=0		mm	INCH	MM ONLY	NTS	METRIC	□		
						4 PLACES ± --- ± ---	DRAWN BY	DATE	TITLE				
						3 PLACES ± --- ± ---	LNG	2007/11/02	IMPACT POWER, 4 PAIR RIGHT ANGLE HEADER PRESS-FIT				
						2 PLACES ± 0.25 ± ---	CHECKED BY	DATE	MOLEX INCORPORATED				
				1 PLACE ± --- ± ---	KWLOKE	2008/01/11	MATERIAL NO. DOCUMENT NO. SHEET NO.						
					APPROVED BY	DATE	SD-78213-003 3 OF 3						
					SHONG	2008/01/11	THIS DRAWING CONTAINS INFORMATION THAT IS PROPRIETARY TO MOLEX INCORPORATED AND SHOULD NOT BE USED WITHOUT WRITTEN PERMISSION						
					ANGULAR ± 3 °								
					DRAFT WHERE APPLICABLE MUST REMAIN WITHIN DIMENSIONS								
					SIZE								
					A3								