

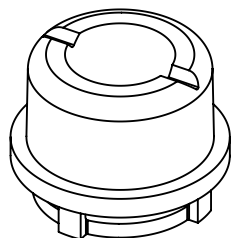
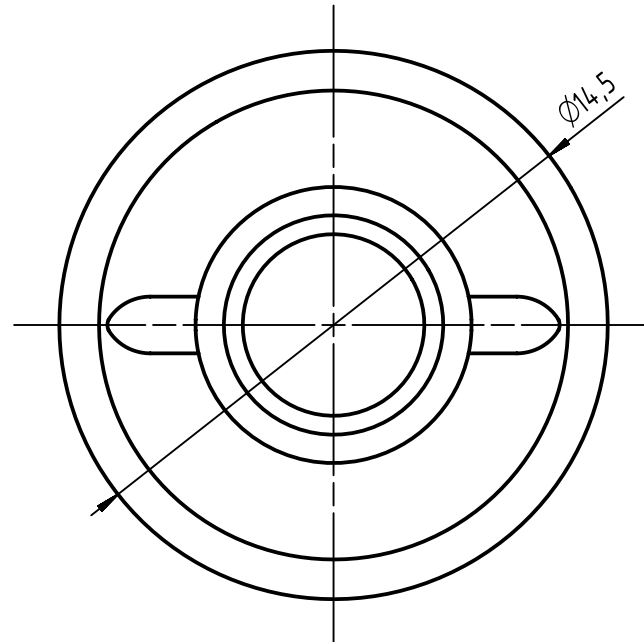
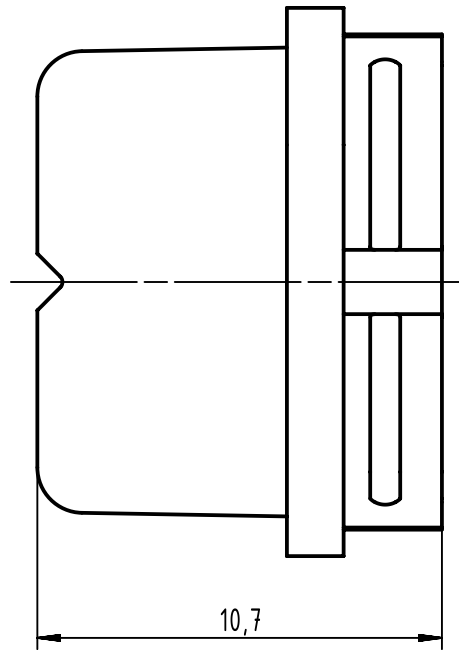
1 2 3 4 5 6


A

B

C

D



	All rights reserved Department EC PD - DE	All Dimensions in mm Original Size DIN A4		Scale 5:1	Free size tol.		Ref.	
		HARTING Electronics GmbH D-32339 Espelkamp		Created by DYCKC	Inspected by WELLMANN	Standardisation KOHLER	Date 2013-05-28	State Final Release
Title M12-L sealing insert diameter 5.5-7.2							Doc-Key / ECM-Nr. 100101769/UGD/001/A 5000000614.84	
				Type TB	Number 21010102003		Rev. A	Page 1/1