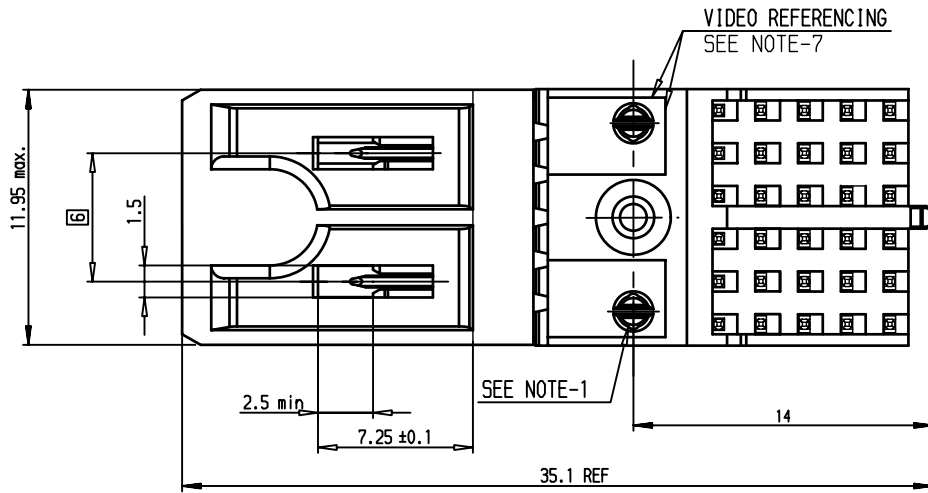


GENERAL CHARACTERISTICS AND ROHS INFORMATIONS:

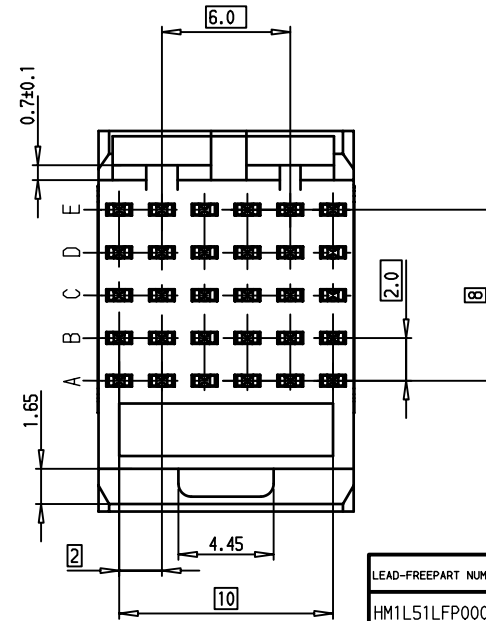
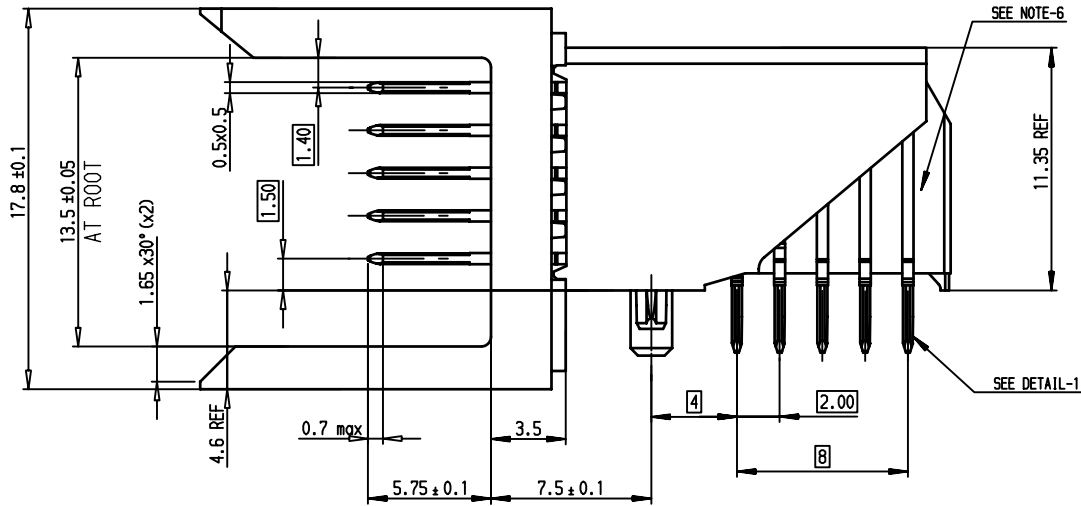
See PRODUCT SPECIFICATION: 6S-12-446

- NOTE-1: SPRING PEGS WITH LOW INSERTION FORCE ≤ 20 N PER MODULE
RETENTION FORCE ≥ 10 N PER MODULE
 - NOTE-2: USE EXISTING CABLE TO BOARD CODING KEYS
 - NOTE-3: PLATING ON MATING PART, SEE PRODUCT SPEC: 6S-12-446
 - NOTE-4: PRODUCT MARKING = PRODUCT PART NUMBER + FCI+DATE CODE
 - NOTE-5: TRUE POS CONTROL WITH GRID GAUGE $\varnothing 0.65$ + WEIGHT 10 N
TRUE POS TOLERANCES ACCORDING TO MOUNTING RANGE = ± 0.35 (X AND Y)
 - NOTE-6: CENTRAL WALL WITH END REAR SUPPORT
 - NOTE-7: VIDEO REFERENCING ON LISIBLE+ACCURATE SHARP PLASTIC EDGES
 - NOTE-8: IF SUFFIX "P" IS ADDED PACKAGING IS TRAYS,
BUT MARKING WILL BE WITHOUT "P"
- Example P/N: HM1L51LFP000H6PLF, Marking: HM1L51LFP0006LF

A

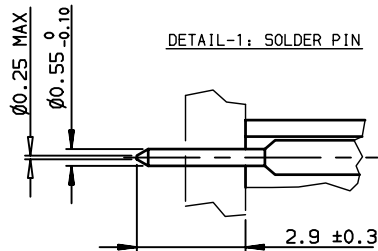


B



LEAD-FREE PART NUMBER	PERFORMANCE LEVEL
HM1L51LFP000H6PLF	STANDARD P/N, See Prod. Spec 6S-12-446
HM1L51LFP000HxPLF	CUSTOMER SPECIAL, Specific Plating

DETAIL-1: SOLDER PIN



European Views

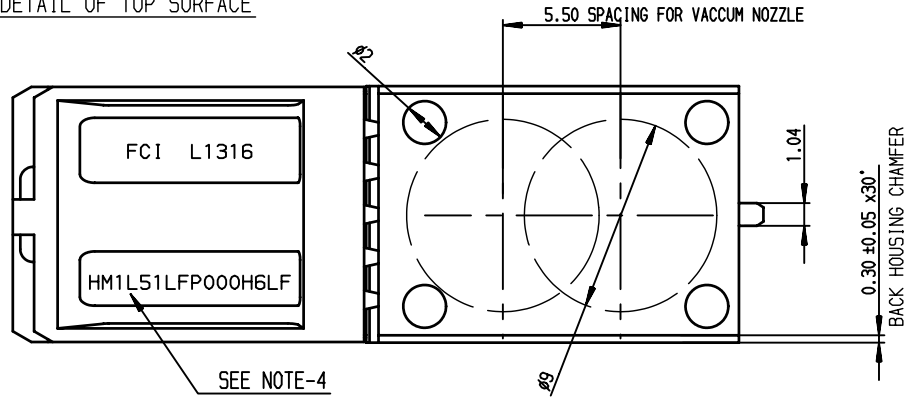
rev	ecn no	dr	date
A	LS07-0163	DVE	2007/06/11
-	-	-	-
-	-	-	-
-	-	-	-
-	-	-	-

www.fciconnect.com		surface ISO 1302 ✓	tolerance std ISO 406 ISO 1101	projection mm	TOLERANCES UNLESS OTHERWISE SPECIFIED	
Dr	VERITE	2007/06/11	ANGULAR	0.X	±0.1	size
Eng	VERITE	2007/06/11	LINEAR	0.XX	±0.1	A3
Chr	LEGARE	2007/06/11	0.XX' ±2'	0.XXX	±0.1	Scale 4
Appr	LEGARE	2007/06/11	Product family	METRAL		ECN LS07-0163
title METRAL RA HDR PIP CONVERG		catalog no		spec ref		Rev. A
WB 5x6-without HDF		-		C-8626-11320-1		sheet 1 of 3

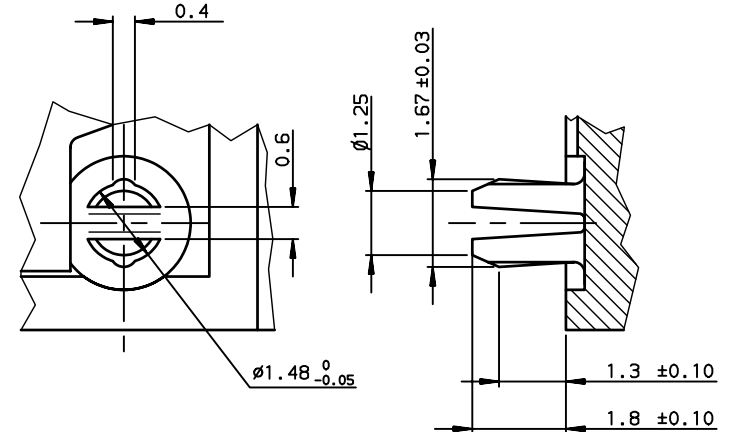


Copyright FCI.

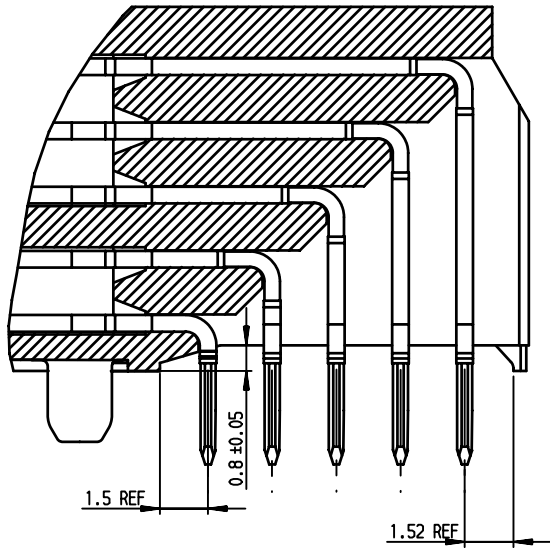
DETAIL OF TOP SURFACE



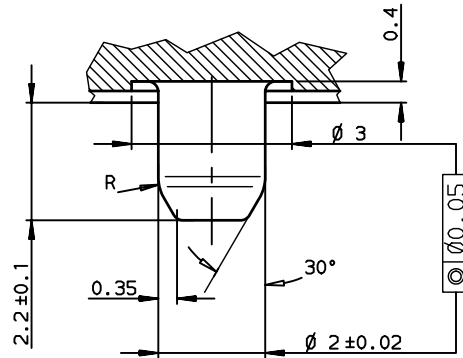
DETAIL OF RETENTION PEGS (2x) SCALE 10/1



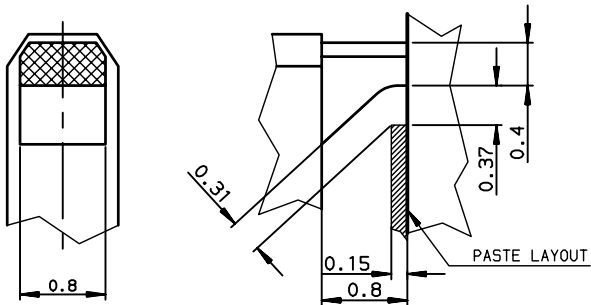
DETAIL OF STAND-OFF SCALE- 6/1



DETAIL OF CENTRAL PEG SCALE 10/1



DETAIL OF REAR SUPPORT SCALE-20/1



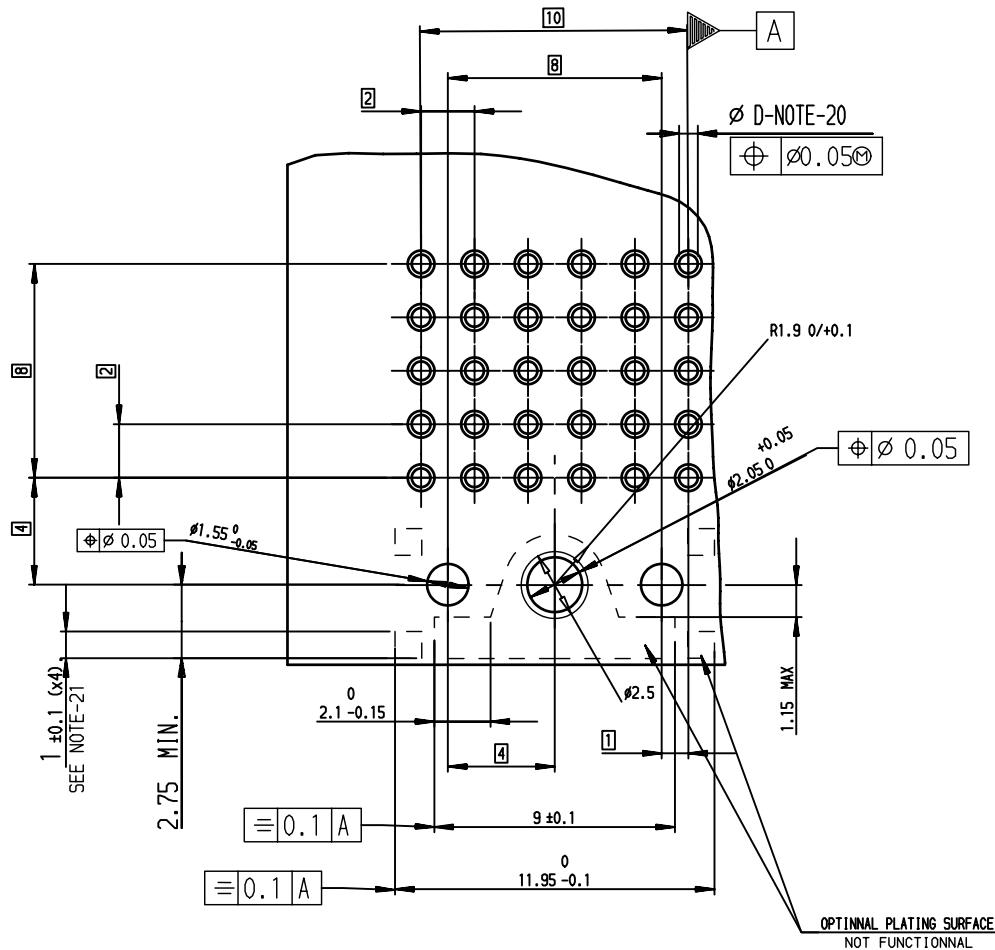
European Views

www.fciconnect.com		surface ISO 1302 <input checked="" type="checkbox"/>	tolerance std ISO 406 ISO 1101	projection 	mm
TOLERANCES UNLESS OTHERWISE SPECIFIED					
Dr	VERITE	2007/06/11	ANGULAR	0.X	±0.1
Eng	VERITE	2007/06/11	LINEAR	0.XX	±0.1
Chr	LEGARE	2007/06/11	0.XX' ±2'	0.XXX	±0.1
Appr	LEGARE	2007/06/11	Product family	METRAL	Spec ref -
title METRAL RA HDR PIP CONVERG				size A3	Scale 4
catalog no WB 5x6-without HDF				ECN LS07-0163	Rev. A
dwg no -				CUSTOMER	sheet 2 of 3



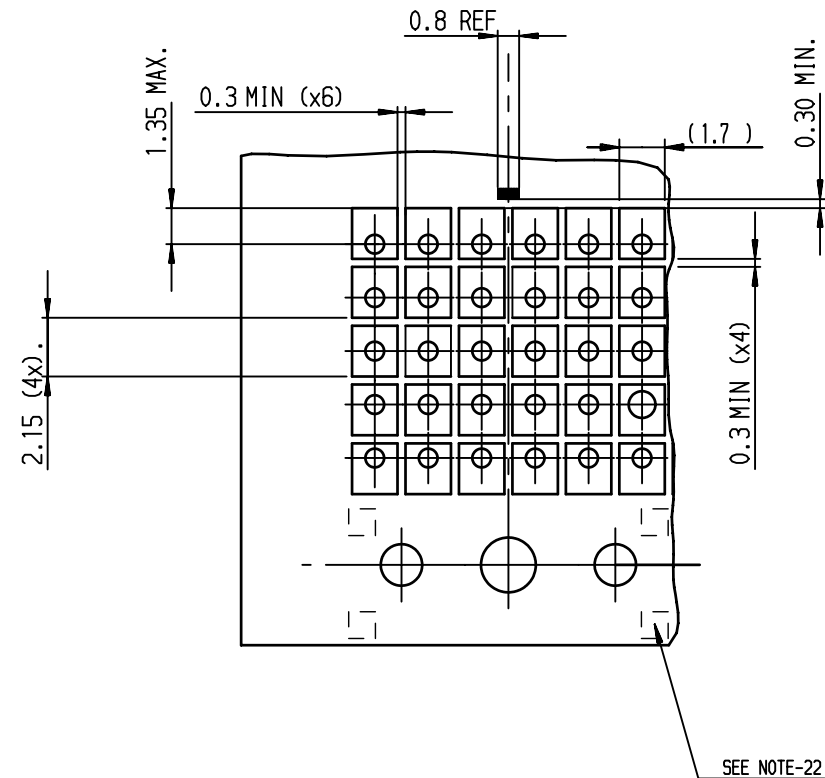
Copyright FCI.

RECOMMENDED PCB LAYOUT



NOTE-20: PTH DIMENSIONS - ØD
 - DRILL DIAMETER = (0.85 REF) and Plating
 - See Product Spec ; 65-12-446
 NOTE-21: 4 SQUARE REFERENCE PADS
 NOTE-22: NO PASTE ALLOWED ON 4 REFERENCE PADS
 NOTE-23: PRODUCT REAR SUPPORT LOCATION
 NOTE-24: RECOMMENDED PASTE THICKNESS = 0.15

RECOMMENDED STENCIL LAYOUT



European Views

www.fciconnect.com		surface ISO 1302	tolerance std ISO 406 ISO 1101	projection mm	TOLERANCES UNLESS OTHERWISE SPECIFIED	
Dr	VERITE	2007/06/12	ANGULAR	0.X	±0.1	size A3
Eng	VERITE	2007/06/12	LINEAR	0.XX	±0.1	Scale 5
Chr	LEGARE	2007/06/12	0.XX' ±2'	0.XXX	±0.1	ECN LS07-0163
Appr	LEGARE	2007/06/12	Product family	METRAL	Spec ref	-
			title METRAL RA HDR PIP CONVERG WB 5x6- without HDF		dwg no C-8626-11320-3 Rev. A	
catalog no			-		CUTOMER sheet 3 of 3	