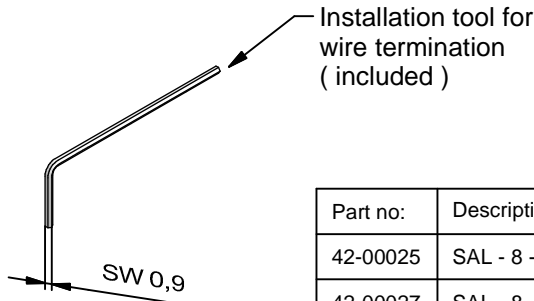
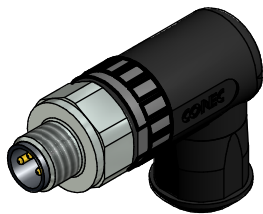
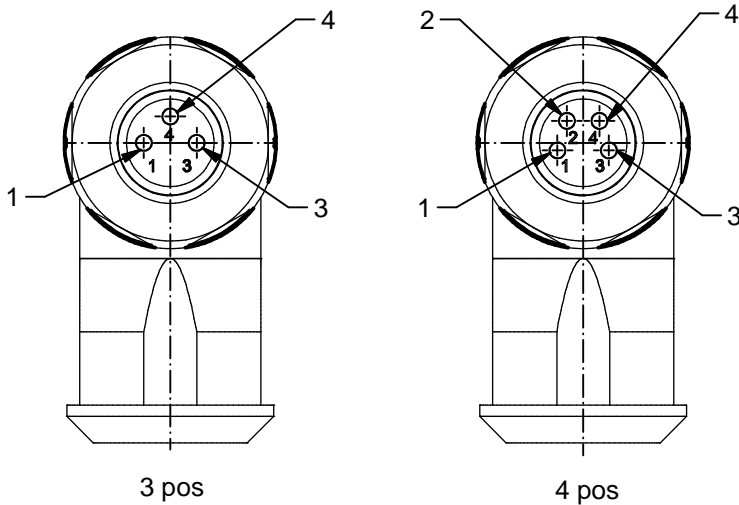
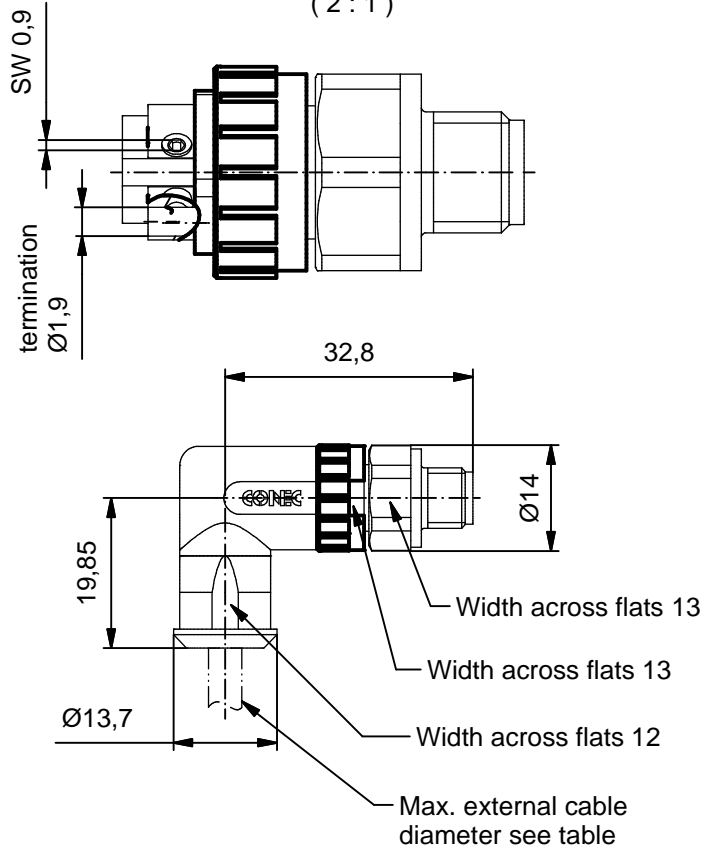


inner view  
(2 : 1)



**Technical specification:**

Rated voltage: IEC 61076-2-104	3pos 60 V	4pos 30 V
Current rating: IEC 61076-2-104	4 A at 40°C with 0,5mm <sup>2</sup>	
Insulation resistance: IEC 60512	≥ 100 MΩ	
Pollution degree: IEC 60664-1	3/2	
Degree of protection: IEC 60529	IP 67, in mated condition	
Temperature range: IEC 60664-1	-30°C ... +85°C	
Mating cycles: IEC 60512-9a	≥ 100	
Wire cross section:	AWG 20 / max 0,5mm <sup>2</sup>	

**Materials:**

Contact:	CuZn
Contact plating:	Au over Ni in mating area
Contact carrier:	PA6, UL 94
Cable sealing:	NBR
O-Ring:	Silicone / NBR
Coupling nut:	CuZn, Ni
Housing:	PA6 GF, UL 94

**Installation specification for locking screw  
to counter connector:**

Recommended torque:	0,4 Nm
Conec installation tool:	Torque wrench: 36-000200 Insert across flats 13: 36-000220

Part no:	Description:	Pos:	Cable-Ø:
42-00025	SAL - 8 - RSWC3-S	3	4 - 5,5mm
42-00027	SAL - 8 - RSWC4-S	4	4 - 5,5mm

DO NOT ALTER CAD DRAWING BY HAND

Directive 2002/95/EC RoHS compliant

Index: b 06.12.11 K.H. Ä4175  
font size adapted; dimension termination  
adapted; Installation specif. adapted

dim. in mm

	date	name
drawn	08.08.11	Strakerjahn
appd.	16.09.11	Hüther

tolerance of cable:

general tolerance:	0 ± 0,50mm
	0,0 ± 0,25mm
	0,00 ± 0,10mm



THIS DRAWING MAY NOT BE COPIED OR REPRODUCED IN ANY WAY, AND  
MAY NOT BE PASSED ON TO A THIRD PARTY WITHOUT WRITTEN PERMISSION.  
OWNERSHIP AND COPYRIGHT OF CONEC GmbH

title: **Male connector M8x1, field  
attachable, angled, screw  
termination**

dwg no:

**42K1A320**

part no:

**see table**