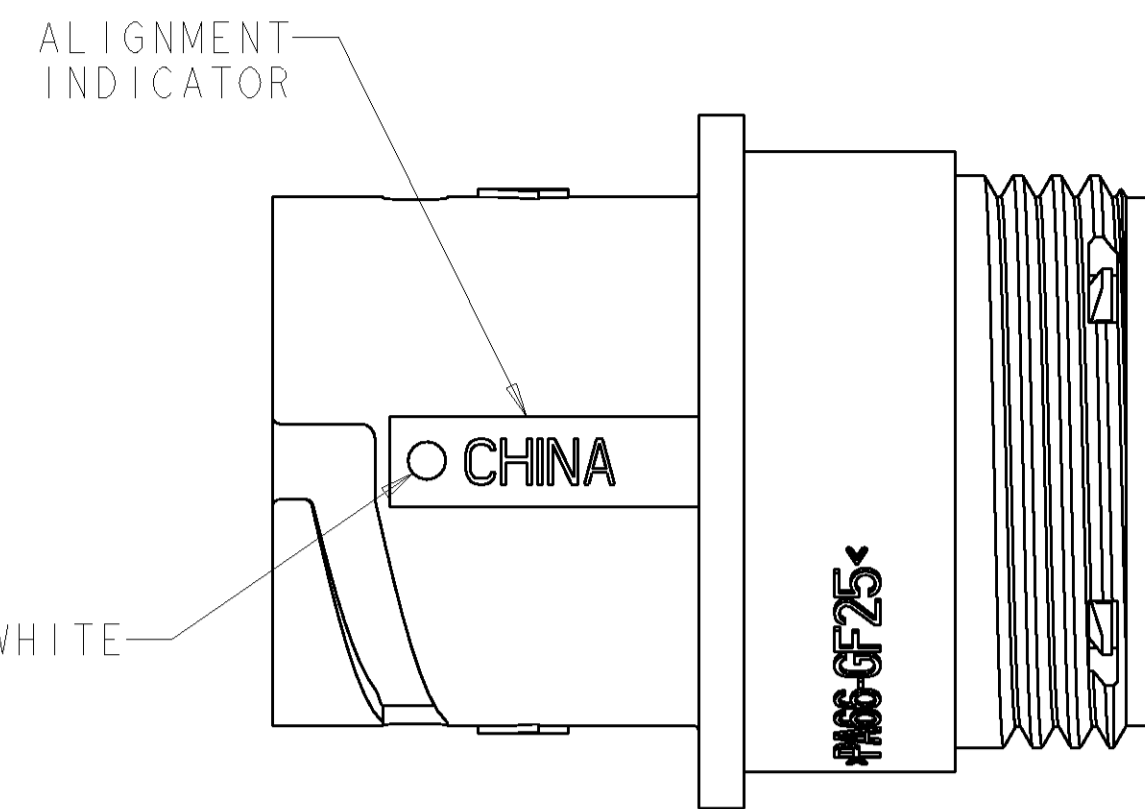
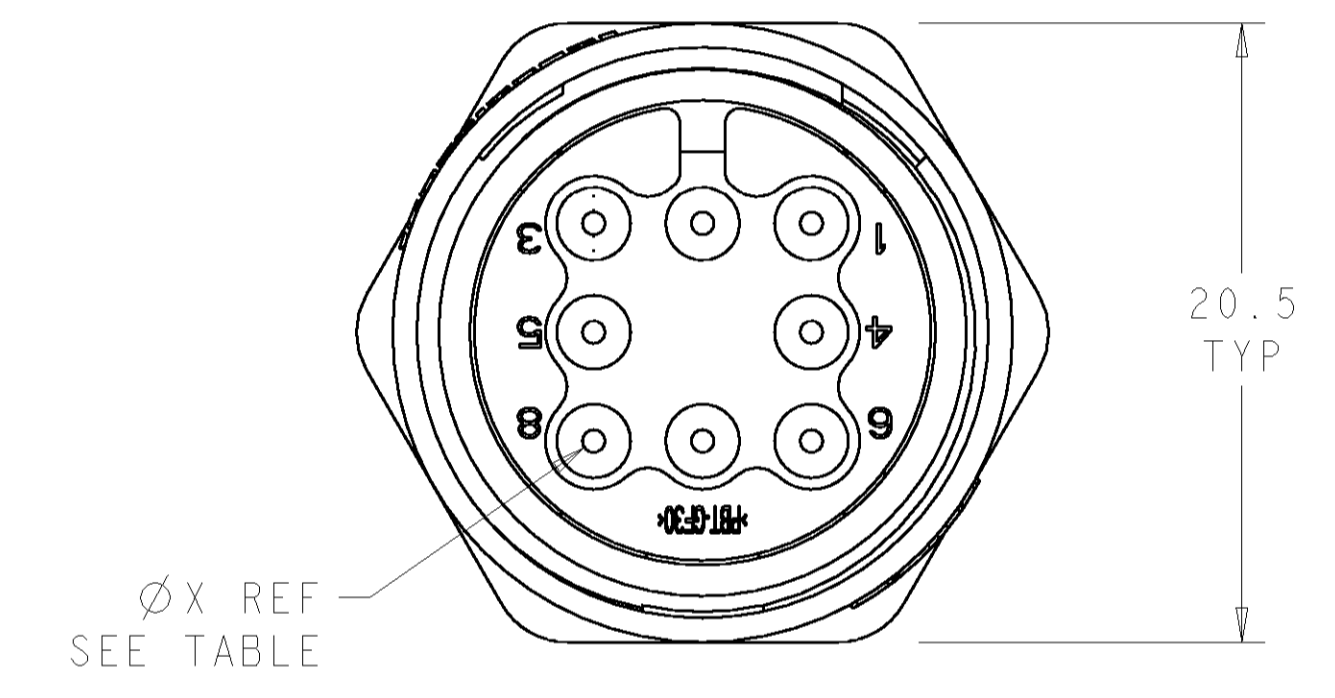
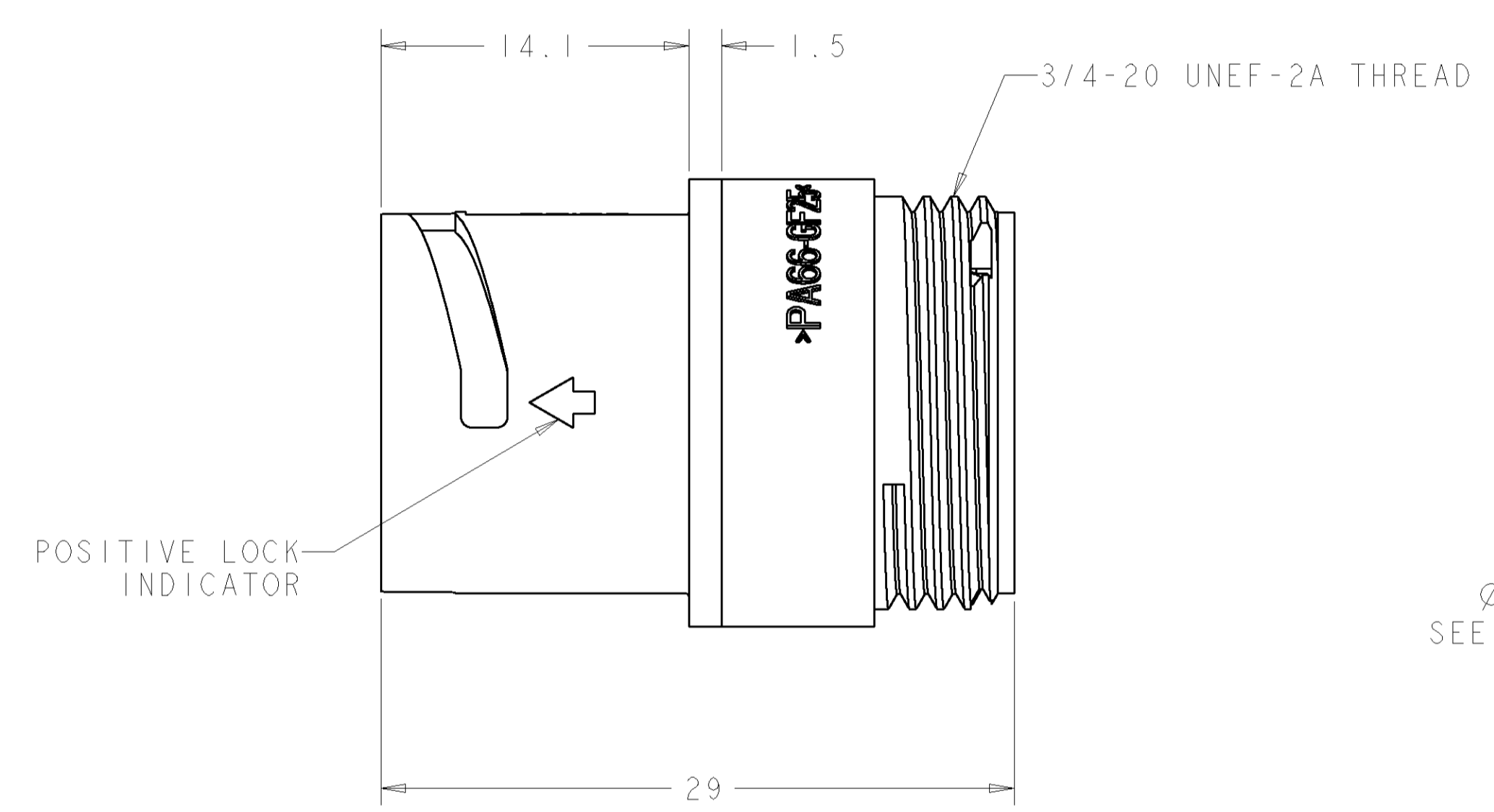
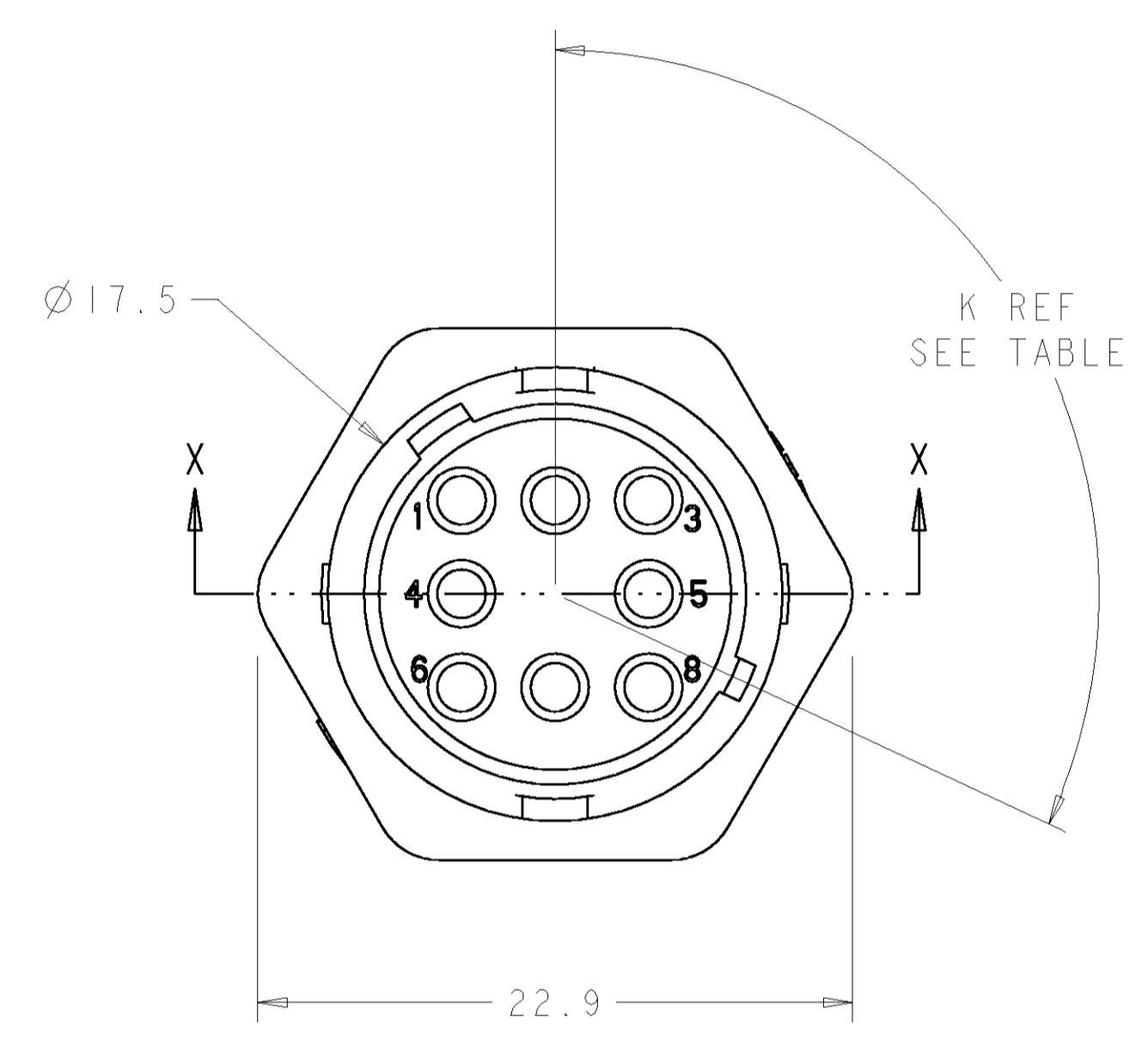


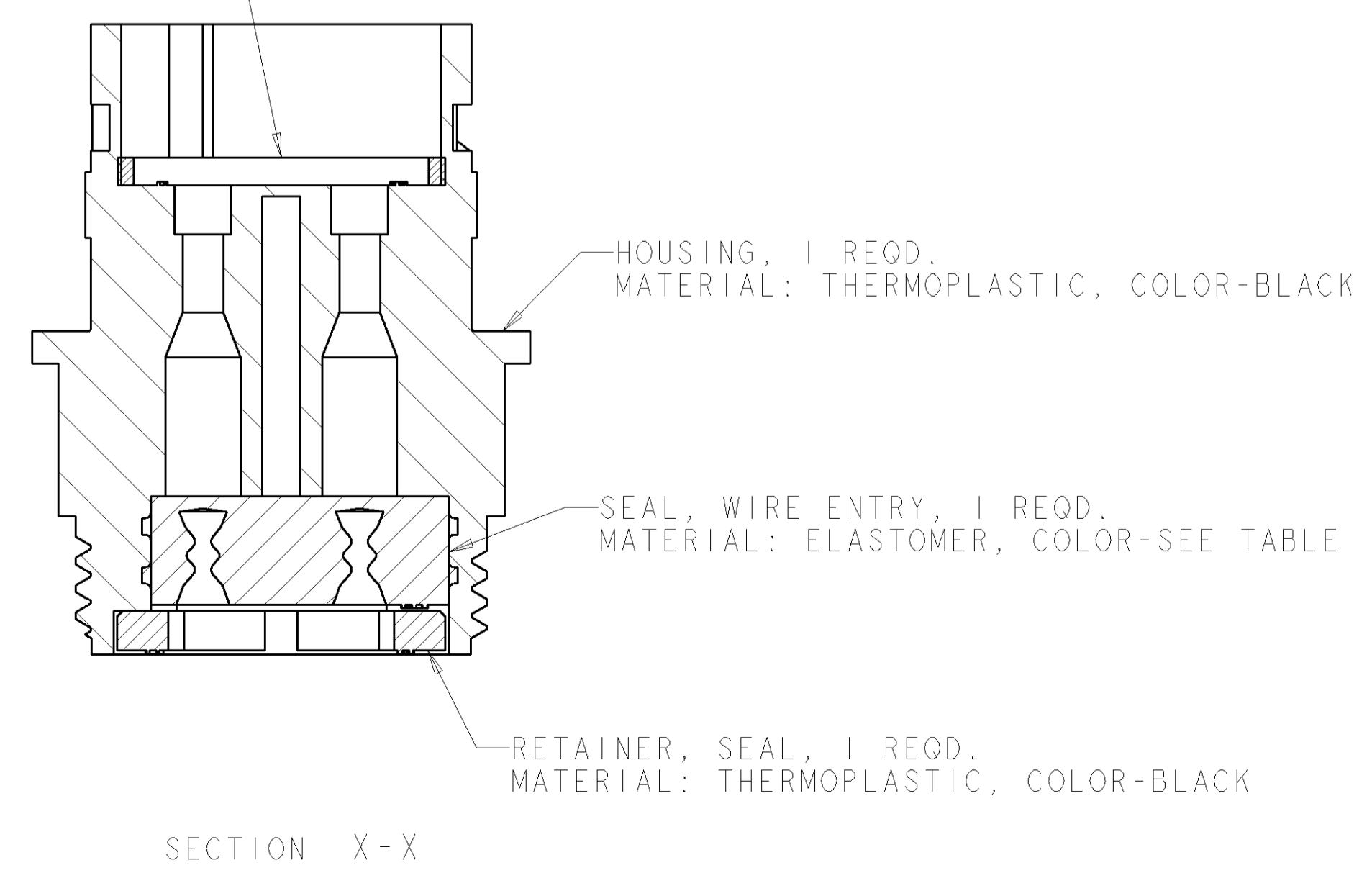
LOC		DIST		REVISIONS			
FT	0	P	LTR	DESCRIPTION	DATE	DWN	APVD
		A		REVISED EC 063B-0326-03	13JUN2003	SW	HW
		B		REVISED EC 063B-0390-04	25MAY2004	SW	HW



ALIGNMENT DOT, COLOR-WHITE



SEAL, PERIPHERAL, 1 REQD.  
 MATERIAL: ELASTOMER, COLOR-GRAY



**QUALIFICATION TEST PENDING**

YELLOW	Ø0.75	135°	1445826-04
NATURAL	Ø1.5	115°	1445826-03
NATURAL	Ø1.5	135°	1445826-02
YELLOW	Ø0.75	115°	1445826-01
SEAL, WIRE ENTRY COLOR	Ø X REF	K REF	PART NUMBER

<small>THIS DRAWING IS UNPUBLISHED. RELEASED FOR PUBLICATION BY TYCO ELECTRONICS CORPORATION. ALL RIGHTS RESERVED.</small>		DWN SHANE WIESE 22OCT2001 ENR G DOUTY 22OCT2001 APVD H WAKEEM 13JUN2003	<b>Tyco</b> <b>Electronics</b> Tyco Electronics Harrisburg, PA 17105-3608
DIMENSIONS: mm 	TOLERANCES UNLESS OTHERWISE SPECIFIED: 0 PLC ± 1 PLC ± 2 PLC ±0.13 3 PLC ± 4 PLC ± ANGLES ± FINISH -	NAME ASSEMBLY, SIZE 11, 8 POSITION, FREE HANGING, SEALED, MINI CPC SIZE CAGE CODE DRAWING NO RESTRICTED TO A 00779 C=1445826 -	SCALE 4:1 SHEET 1 OF 1 REV B
MATERIAL SEE CALLOUT	WEIGHT -	CUSTOMER DRAWING	