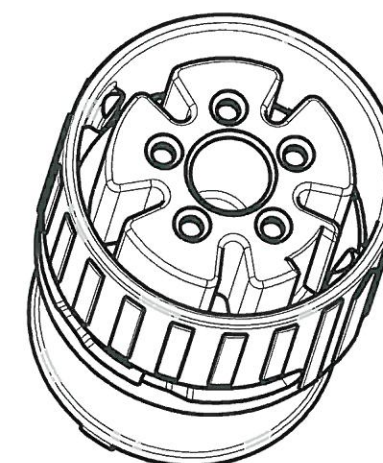
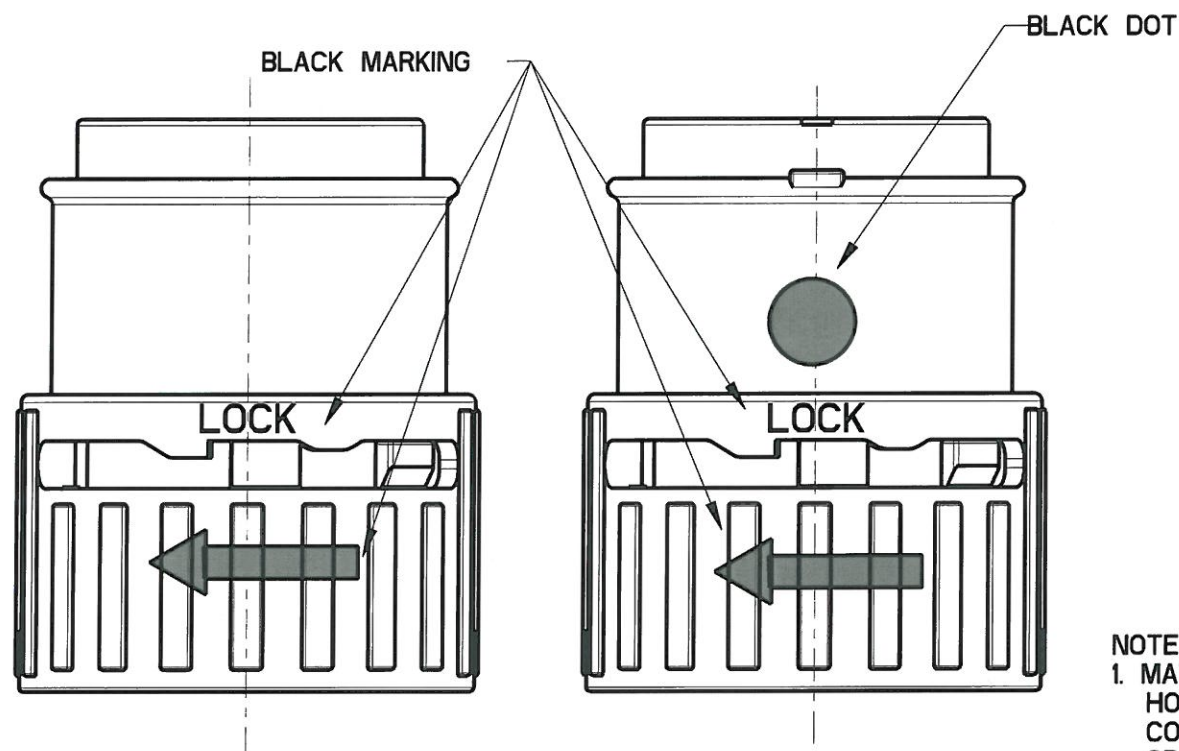
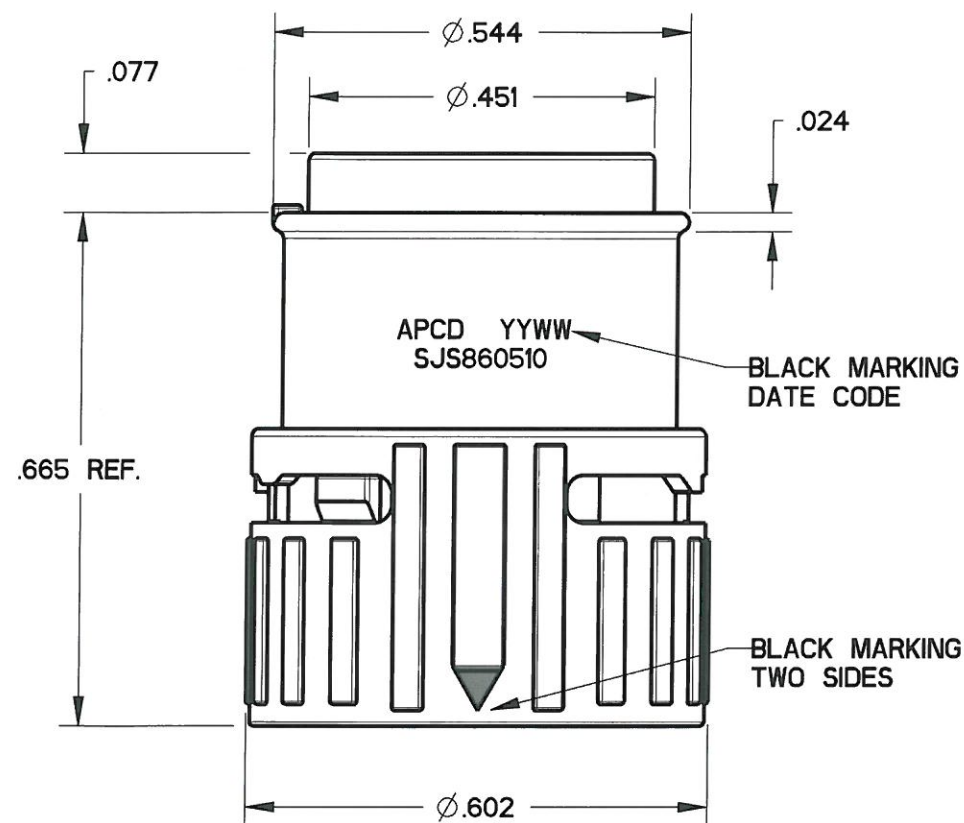
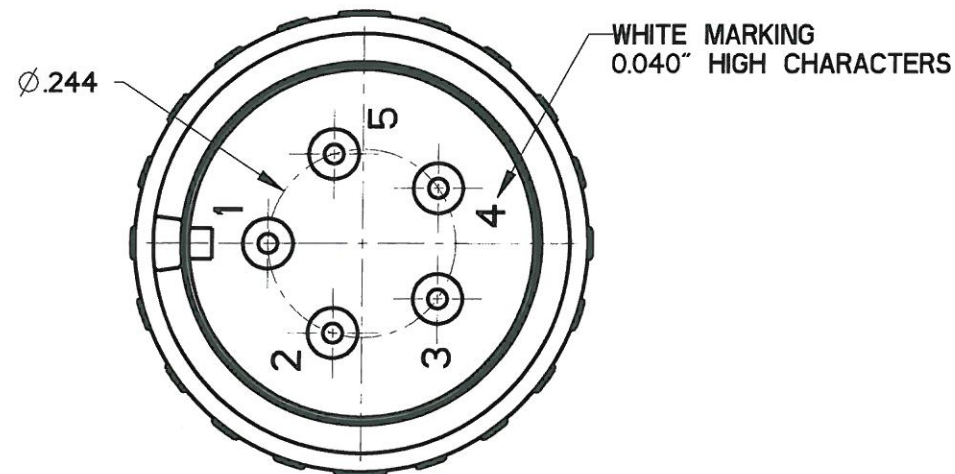
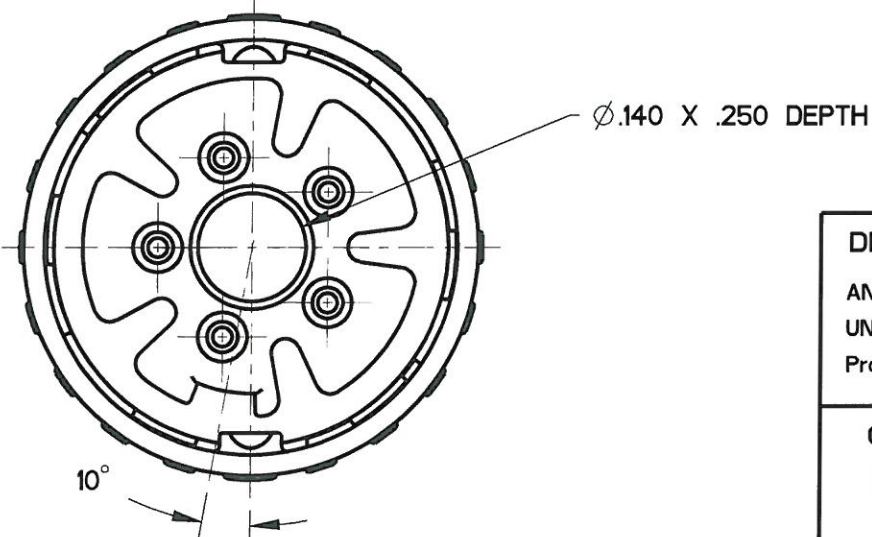


REV	ECN	APP'D
-	6498	JT 3/11/10
A	6564	JT 8/6/10
B	6655	<i>[Signature]</i>



SCALE 3:1

- NOTES:
- MATERIALS:
HOUSING: PA6/6
CONTACT RETAINER: STAINLESS STEEL
GROMMET: SILICONE RUBBER PER A-A-59588
 - ACCEPTS M39029/57-354 SOCKET CONTACTS (NOT INCLUDED)
 - WHEN ASSEMBLED, "LOCK" AND ARROW MARKINGS MUST ALIGN WITH BLACK DOT
 - PART MATES WITH SJS860500 OR SJS860520
 - WEIGHT: 2.6 GRAMS
 - SUPPLIED WITH DUST CAP



DIMENSIONS ANSI Y14.5M UNITS: INCHES Pro/E FILE	TOLERANCES .XX ±0.01 .XXX ±0.005 ANGLES ±10°	PROJECTION 	Amphenol Pcd SPECIFICATION DRAWING		TITLE 5P SZ22 INLINE WHITE PLUG FOR SJS	
			ENGR Frank.Li 15-Mar-09	CHKD <i>[Signature]</i> 1/18/11	APPD <i>[Signature]</i> 1/21/11	SIZE B
ORIGINAL 	THIS DOCUMENT CONTAINS PROPRIETARY INFORMATION WHICH IS THE CONFIDENTIAL PROPERTY OF AMPHENOL PCD INC., BEVERLY, MA			CODE: 58982	SCALE: 4:1	SHEET 1 OF 1

SJS860510

SJS860510