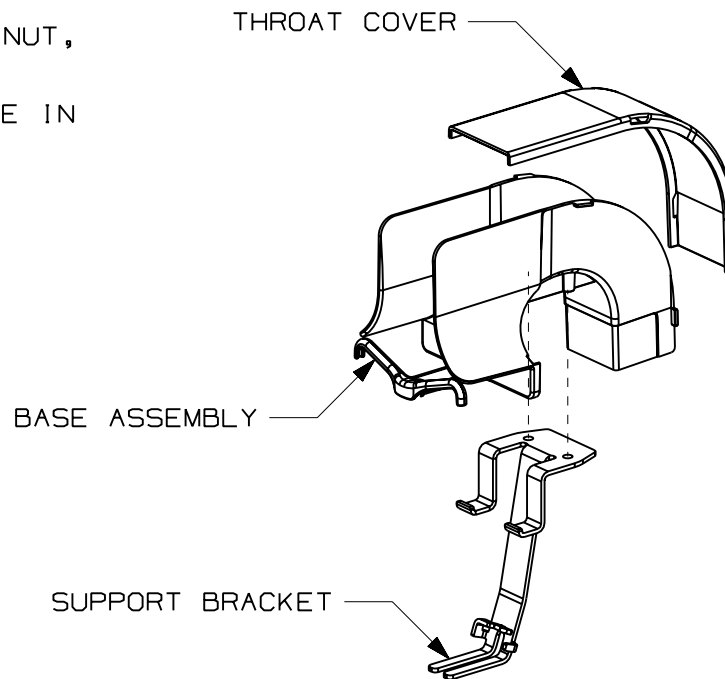
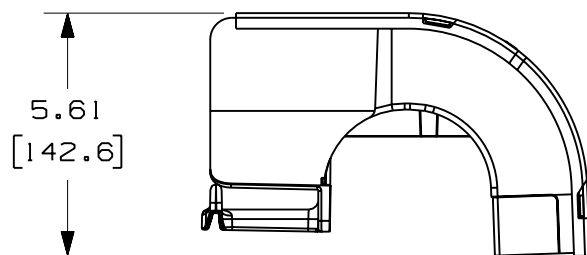
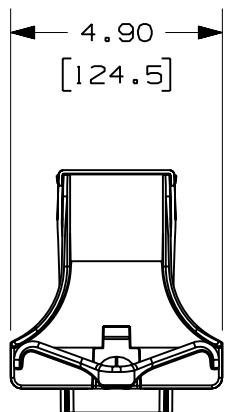
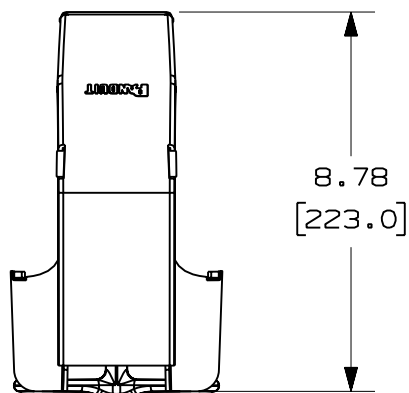


**NOTES:**

- SEE CURRENT CATALOG FOR ADDITIONAL PART SUFFIXES TO INDICATE COLOR AND/OR PACKAGE QUANTITY.
- THE FIBERRUNNER SPILL-OVER JUNCTION WITH 2x2 EXIT INCLUDES:  
 ONE (1) BASE ASSEMBLY,  
 ONE (1) THROAT COVER,  
 ONE (1) SUPPORT BRACKET,  
 ONE (1) 1/4-20 T-BOLT,  
 ONE (1) 1/4-20 HEX KEPS LOCK NUT,  
 TWO (2) 1/4-14x1/2 HEX WASHER HEAD TAPPING SCREWS
- DIMENSIONS IN PARENTHESES ARE IN METRIC.

PANDUIT PART NUMBER	WEIGHT
FRSPJ2X2	1.16 LB/EACH (526g/EACH)



ENG. REF.: D39851BV\_DC/00 FRSPJ2X2.prt

CAD FILENAME/LAYERS: FRSPJ2X2.pdf

**PANDUIT** CORP TINLEY PARK, ILLINOIS  
**FIBERRUNNER SPILL-OVER JUNCTION WITH 2x2 EXIT (FRSPJ2X2)**  
 CUSTOMER DRAWING

UNLESS OTHERWISE SPECIFIED, DIMENSIONAL TOLERANCES ARE:  
 (.X) ± (.XXX) ±  
 (.XX) ± .03 (.8) ANGLES ±

UNLESS OTHERWISE SPECIFIED, ALL DIMENSIONS ARE GIVEN IN INCHES, THIRD ANGLE PROJECTION.

DRAWN BY: MSO	MAT'L: ABS/STEEL	SCALE: NONE
DATE: 7-6-09		DRAWING NO.: 39851-19
CHK'D: EB		DWG SIZE: A

REV	DATE	BY	CHK	DESCRIPTION	ECN	R	CUST	SUP	GMBH
R	7-6-09	MSO	EB	RELEASED TO PRODUCTION	39851-19	RN	RN		