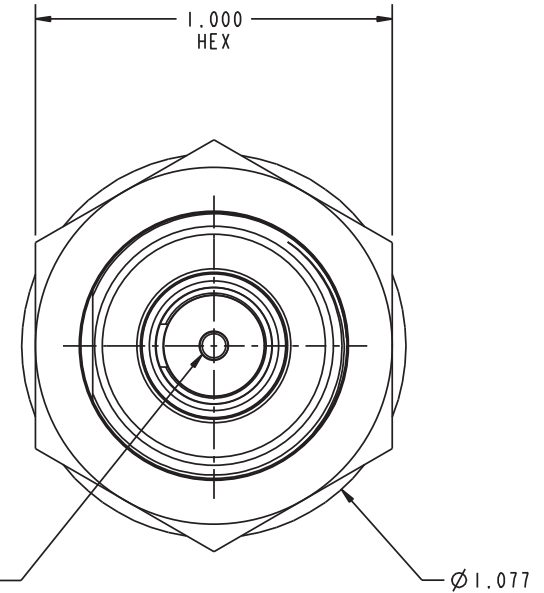
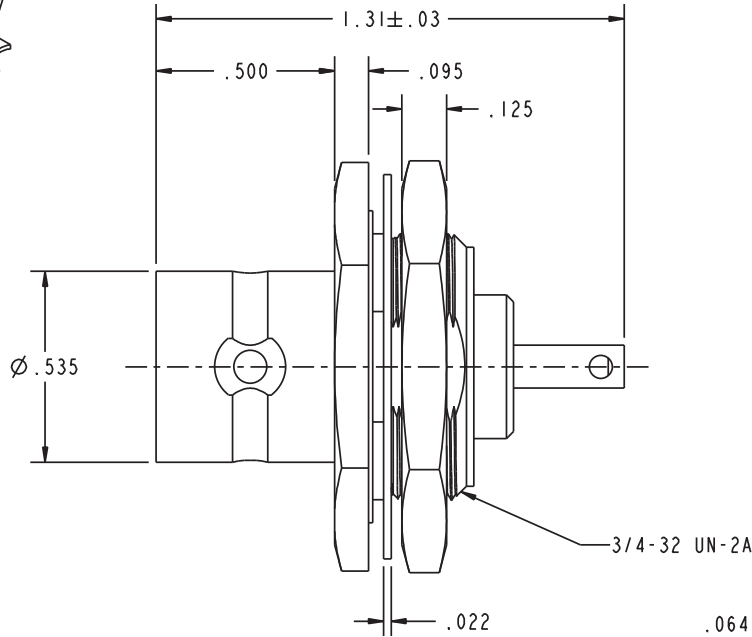
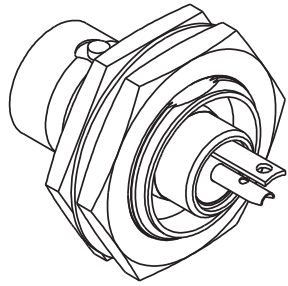
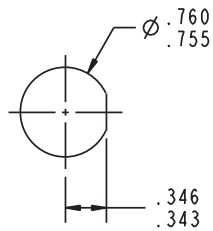


DATA CONTAINED IN THIS DOCUMENT IS PROPRIETARY TO CINCH CONNECTIVITY SOLUTIONS AND SHALL NOT BE DISCLOSED, COPIED OR USED FOR PROCUREMENT OR MANUFACTURE WITHOUT EXPRESS WRITTEN PERMISSION

REVISIONS			
REV	DESCRIPTIONS	DATE	APPROVED
L	ECO 53348	6/14/11	CSM



SOLDER POT ACCEPTS .064 DIAMETER CONDUCTOR



RECOMMENDED PANEL CUTOUT

3. PIN CONTACT CONCENTRIC TWINAX/ TRIAX TRC SERIES ("C" SIZE) SOLDER POT BULKHEAD MOUNT RECEPTACLE
2. MAX PANEL THICKNESS .156
1. FINISH: TFS-1A (NICKEL)

NOTES: UNLESS OTHERWISE SPECIFIED.

<small>INTERPRET DRAWING PER MIL-STD-100 DIMENSIONS ARE IN INCHES AND INCLUDE FINISH THICKNESS UNLESS OTHERWISE SPECIFIED.</small>		<small>TOL: UNLESS SPECIFIED: .125 ± .02 .125 ± .010 .125 ± .0010 ANGLE ± 1° 00' CRITICAL</small>				<small>Cinch Connectivity Solutions 299 Johnson Ave. Ste. 100 Waseca, MN 56093 1-800-247-8256</small>	
DATE	BPK	6/14/11	MATERIAL:	TITLE: BJ80			
CHK	CSM	6/15/11	FINISH:	SIZE CAGE CODE DRAWING NO. REV.			
QUALITY				B 14949 1-0402 L			
BLANK LENGTH (REF. ONLY)	MANUF			SCALE 3/1 DATE 6/14/11 SHEET 1 OF 2			
N/A	APPROVED			DO NOT SCALE DWG			
SURFACE AREA	PROVE FILE NO.	1-0402					