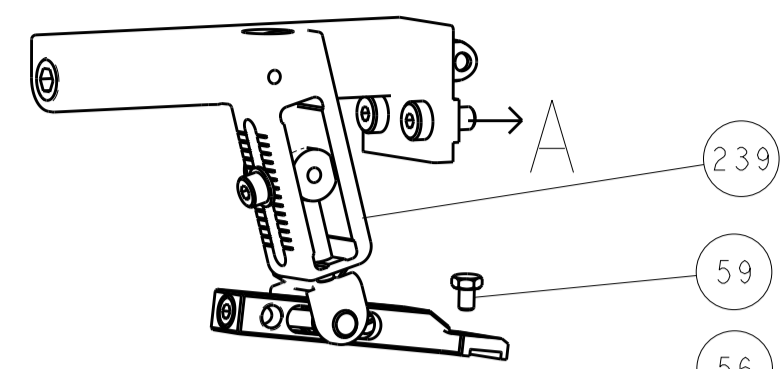
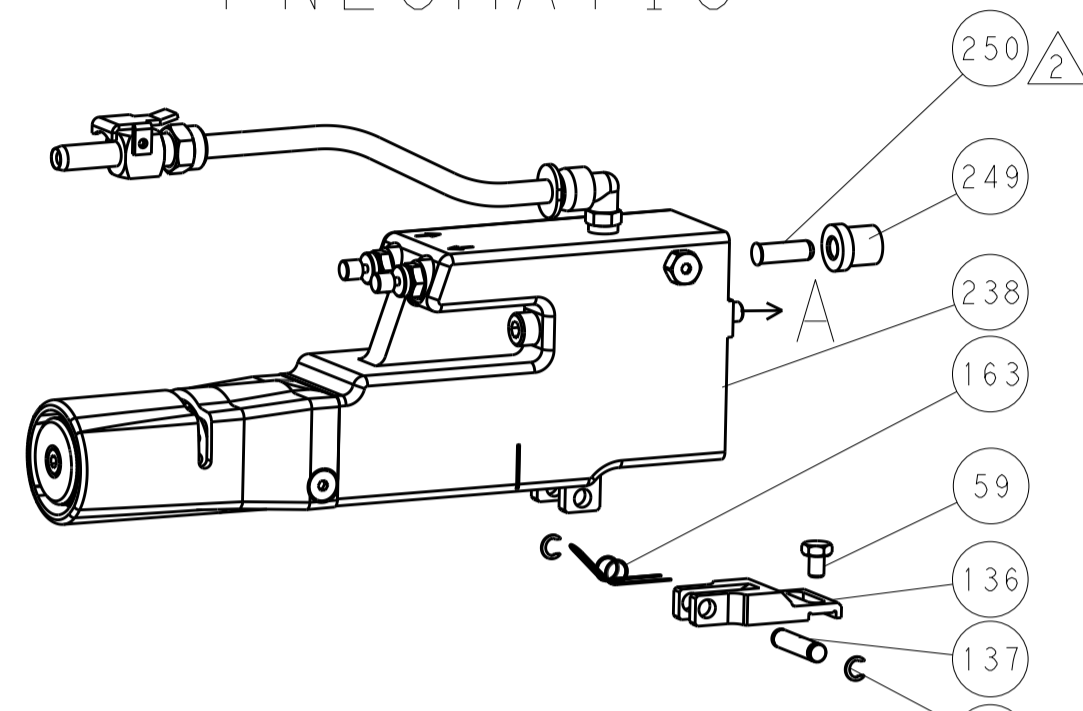


LOC		DIST		REVISIONS				
A	66	P	LTM	DESCRIPTION	DATE	DWN	APVD	
		-		SEE SHEET 1				

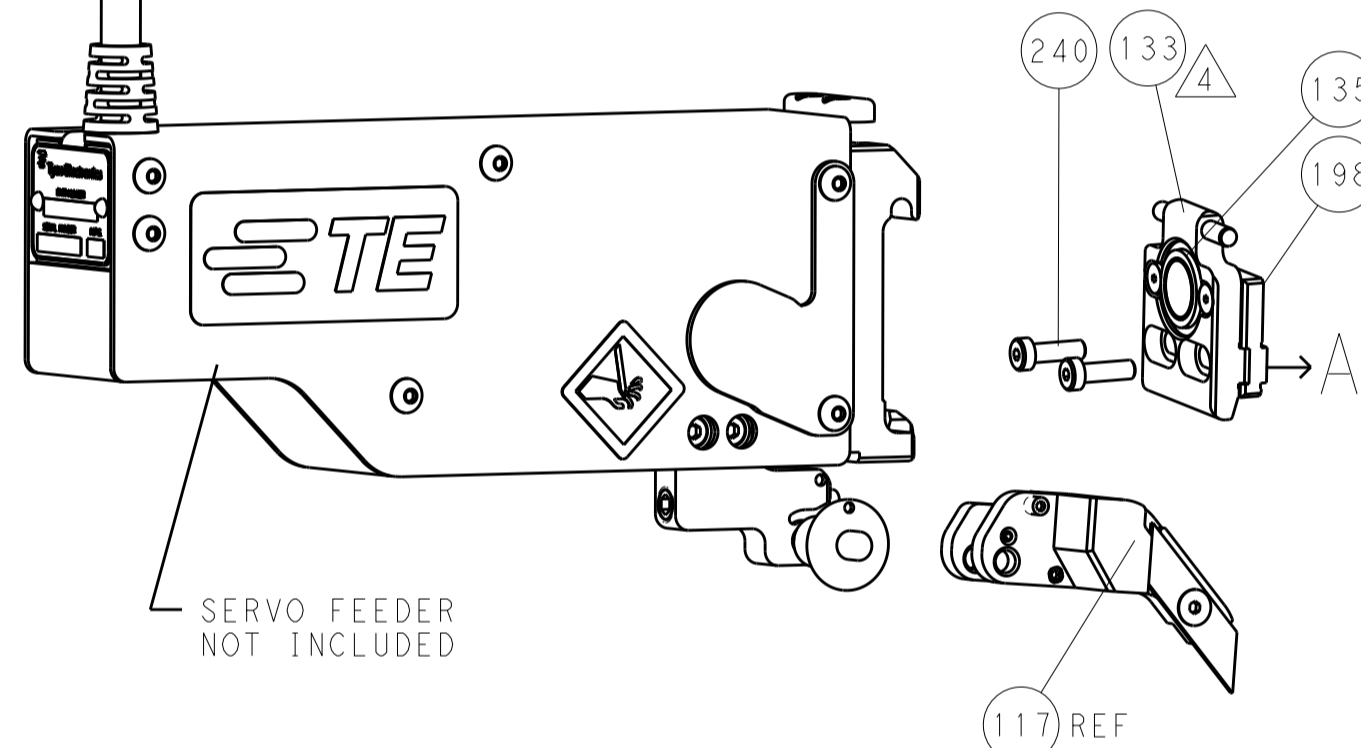
FEED TYPE MECHANICAL



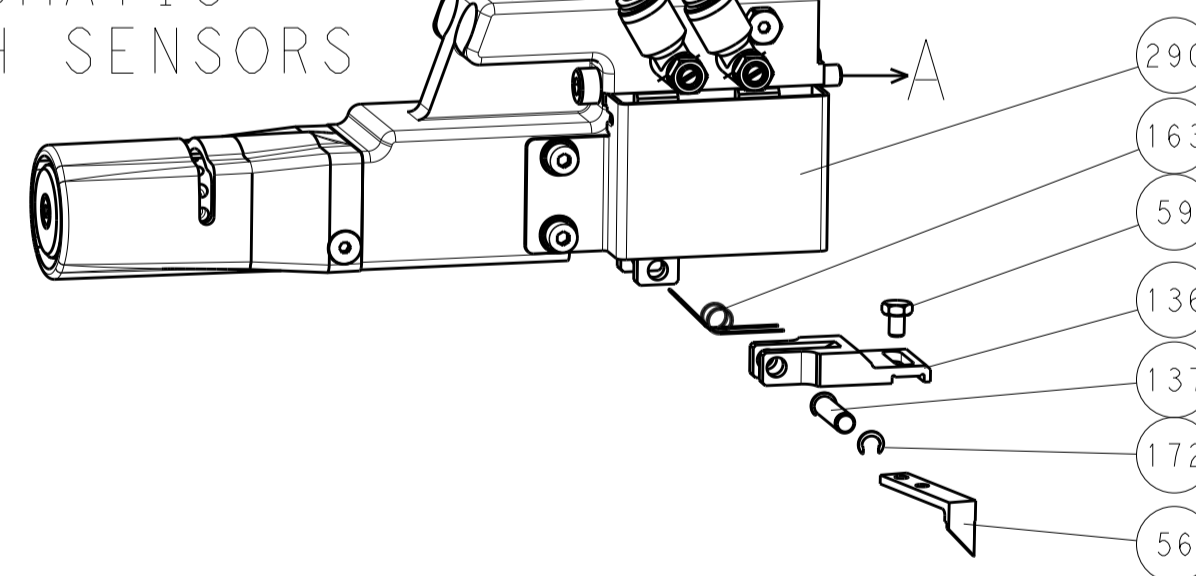
PNEUMATIC



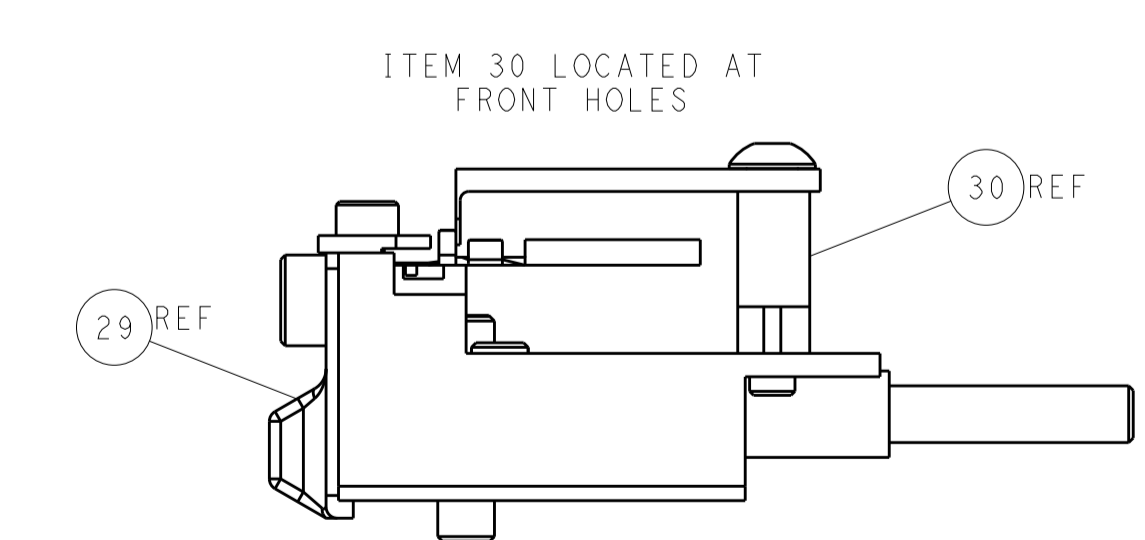
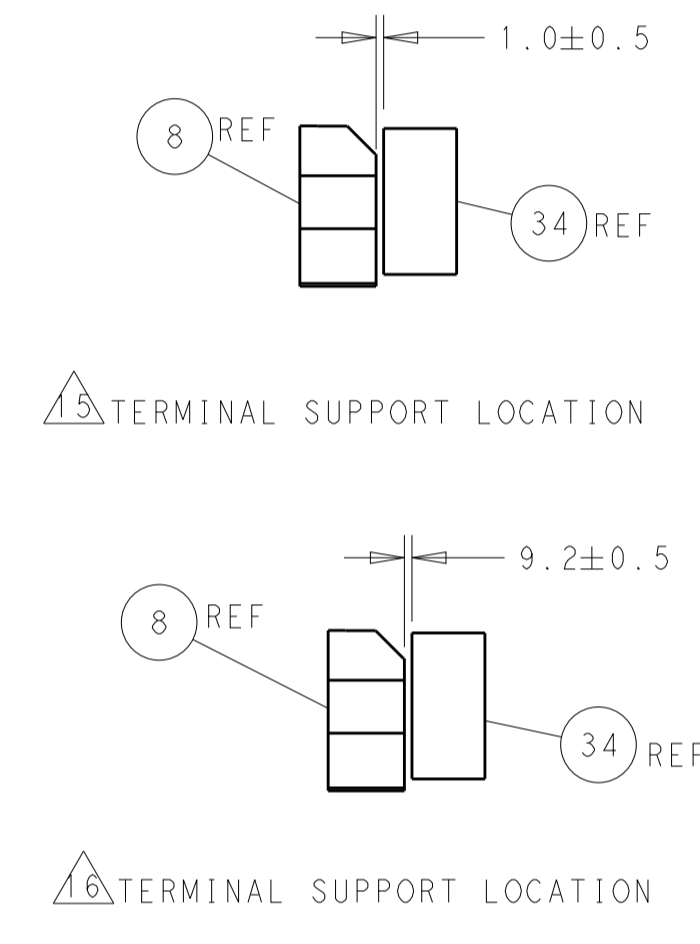
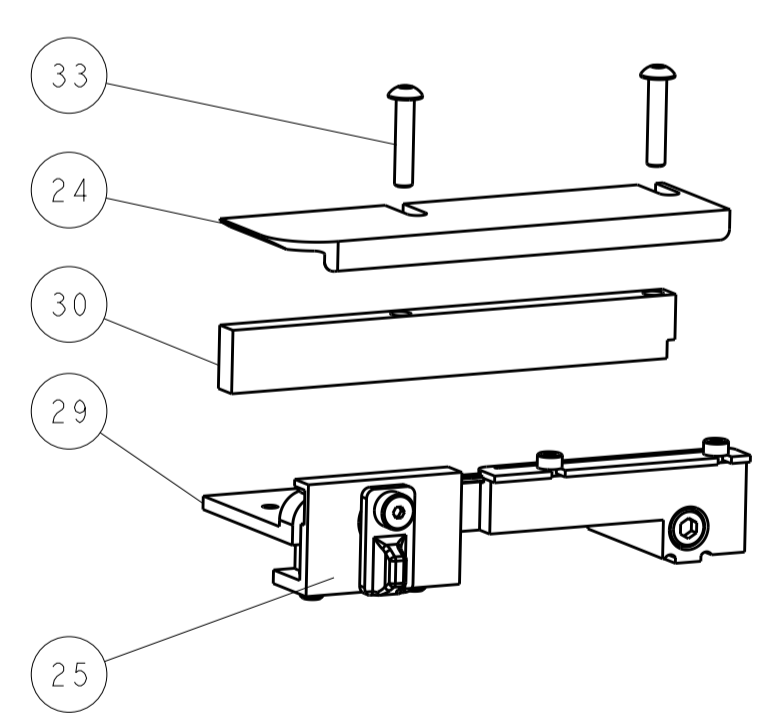
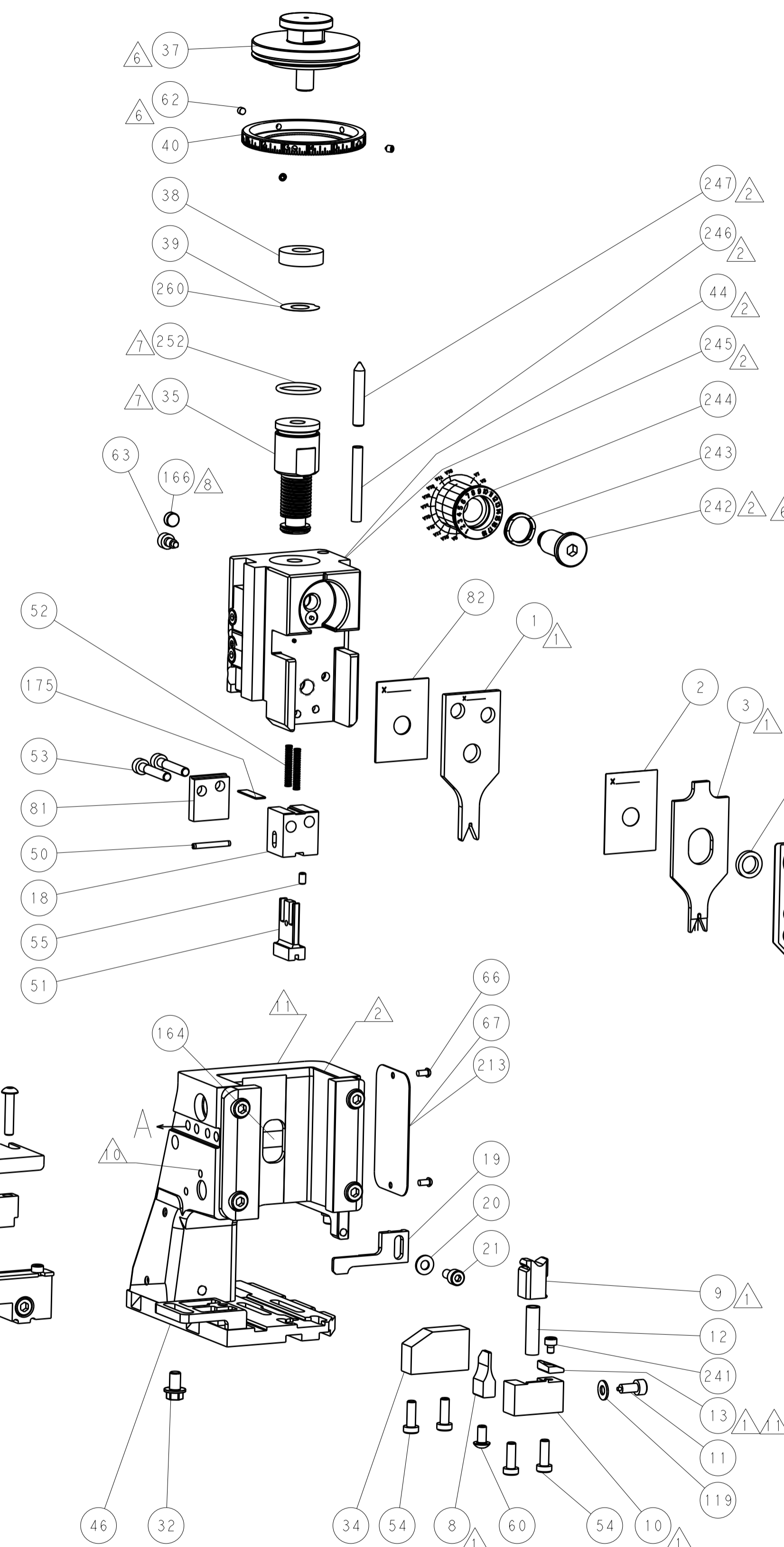
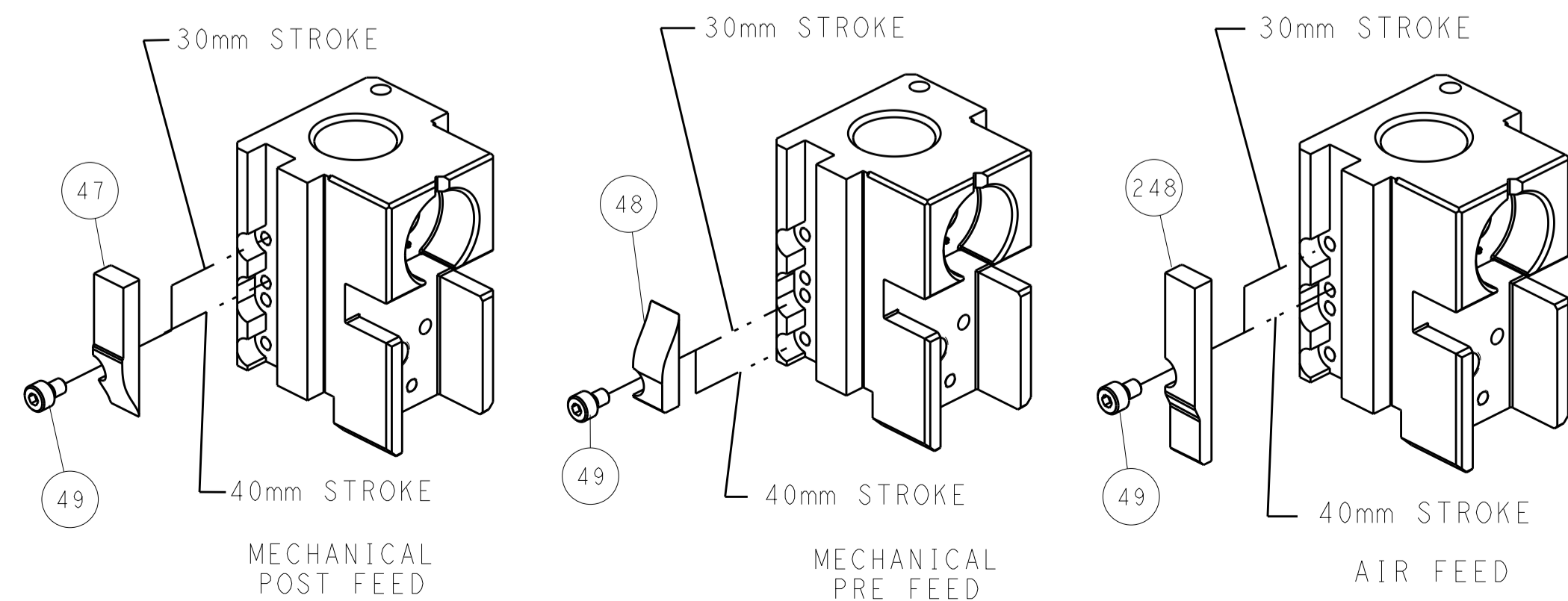
SERVO LATCH PLATE



DOUBLE ACTING PNEUMATIC WITH SENSORS



CAM POSITIONS

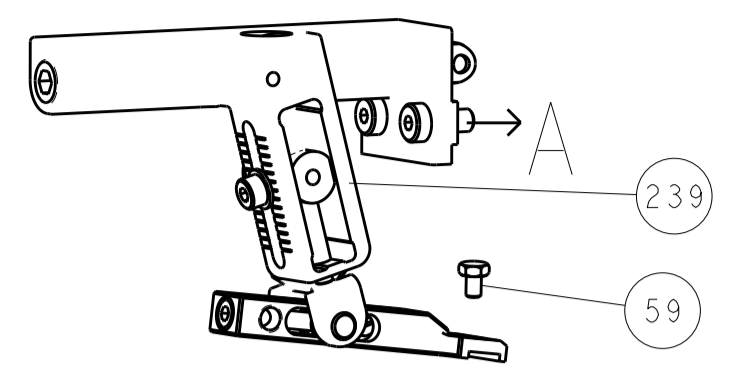


ATLANTIC VERSION
 Shown on sheets 1 of 4 & 2 of 4
 (Pacific version shown on sheets 3 of 4 & 4 of 4)

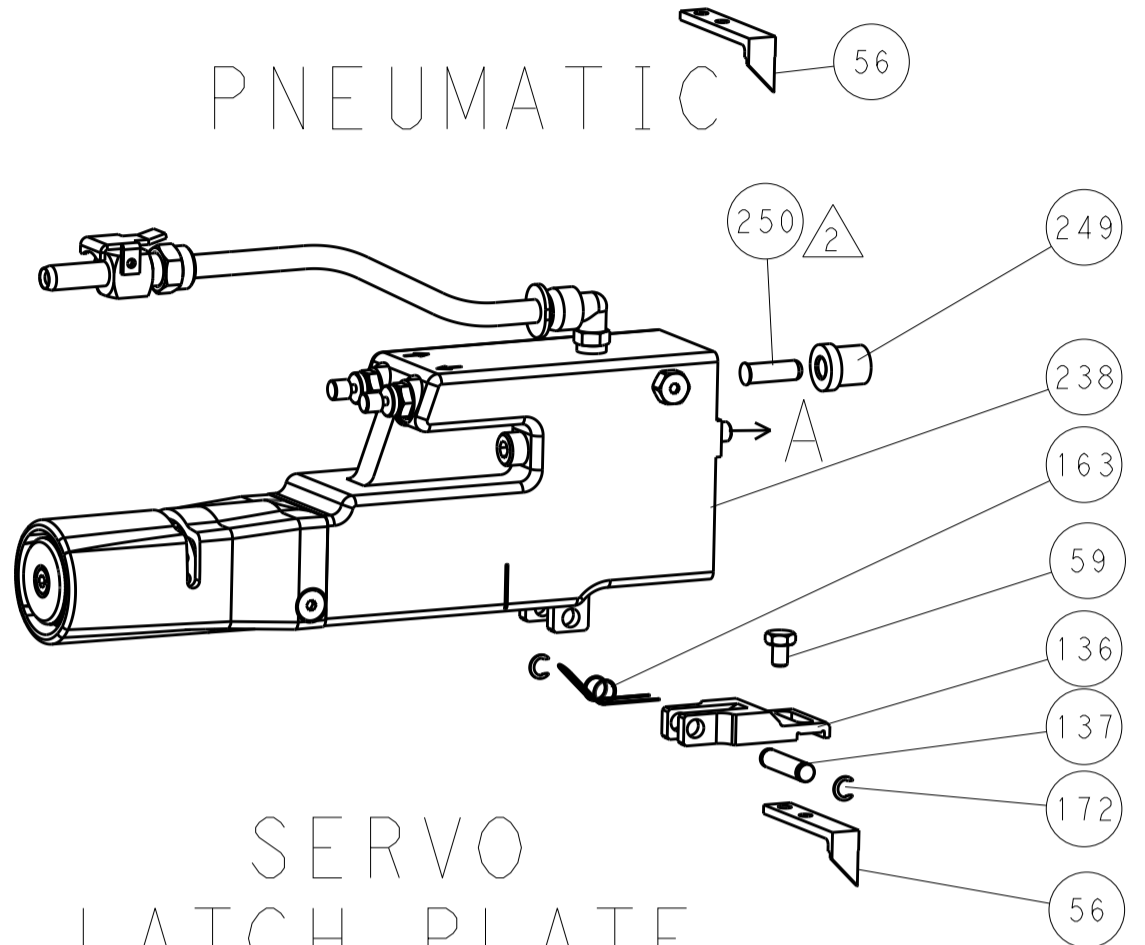
DIMENSIONS:		TOLERANCES UNLESS OTHERWISE SPECIFIED:		DWN C. MOYER 31JUL2012		TE Connectivity	
mm	0 PLC ±	1 PLC ±	2 PLC ±	3 PLC ±	4 PLC ±	Harrisburg, PA 17105-3608	
MATERIAL:		FINISH:		APVD T. ELBIN 31JUL2012		NAME Ocean Side Feed Applicator	
CUSTOMER DRAWING		SCALE 1:2		SHEET 2 OF 4		REV L1	

LOC		DIST		REVISIONS			
A	66	P	LTM	DESCRIPTION	DATE	OWN	APVD
		-	-	SEE SHEET 1			

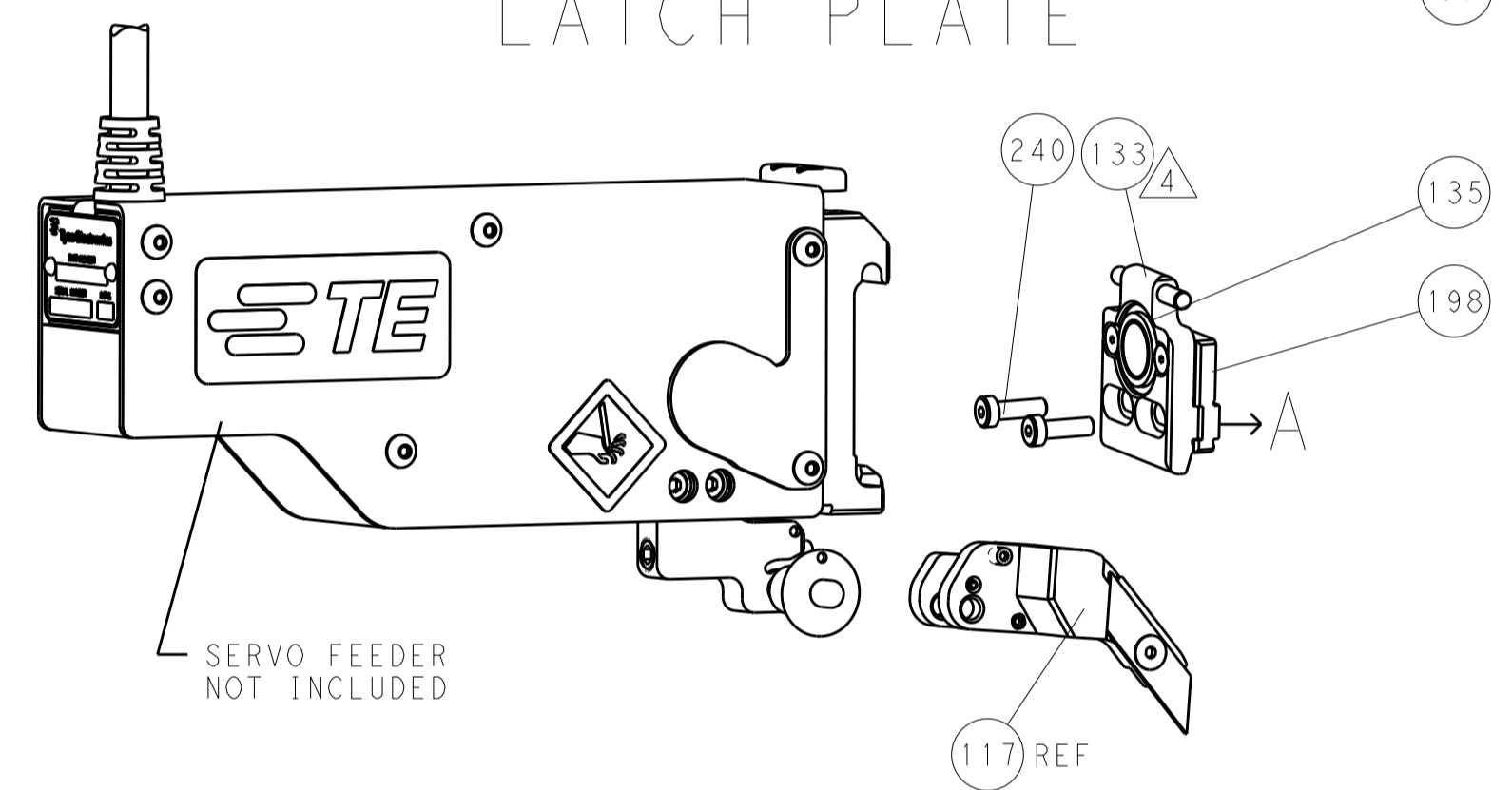
FEED TYPE MECHANICAL



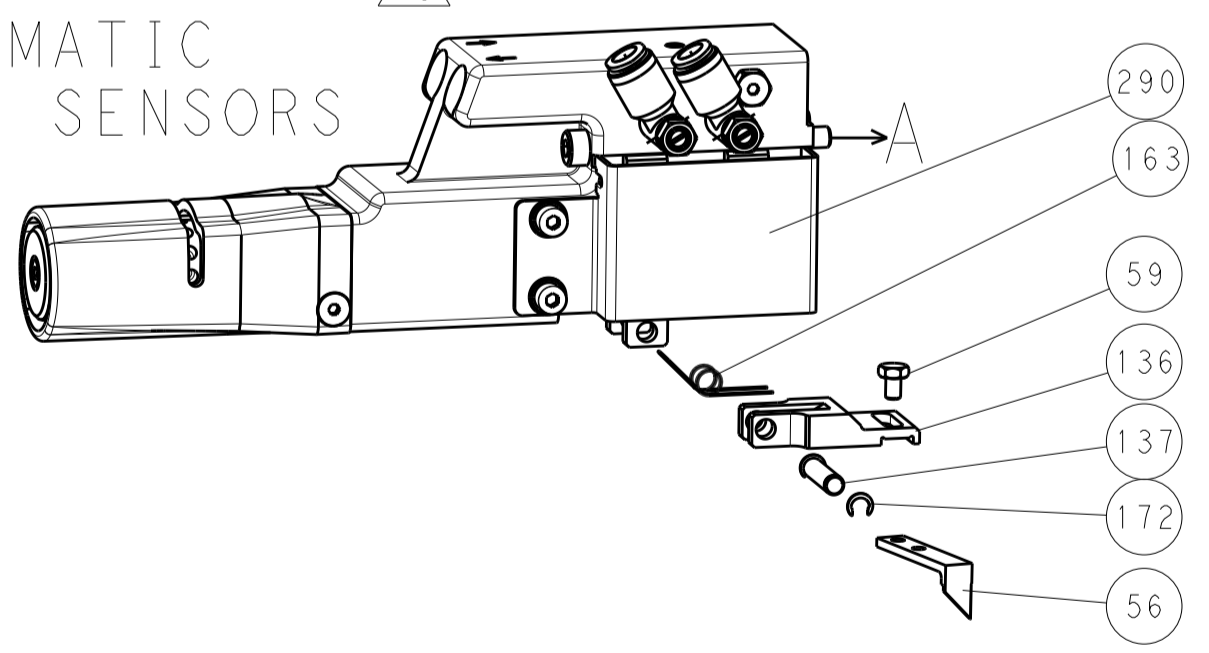
PNEUMATIC



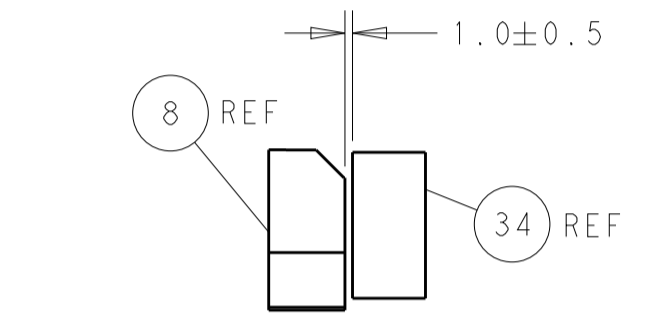
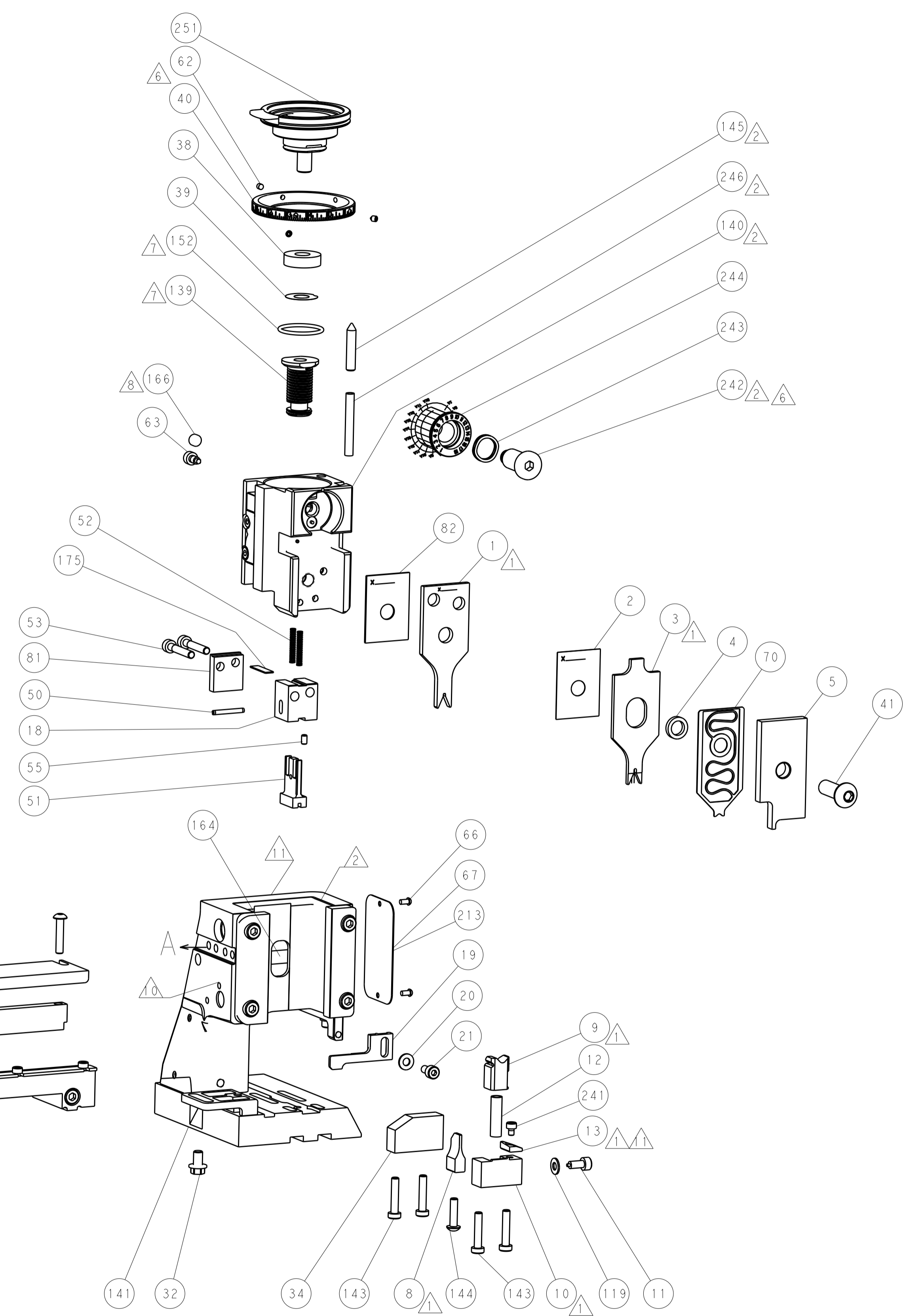
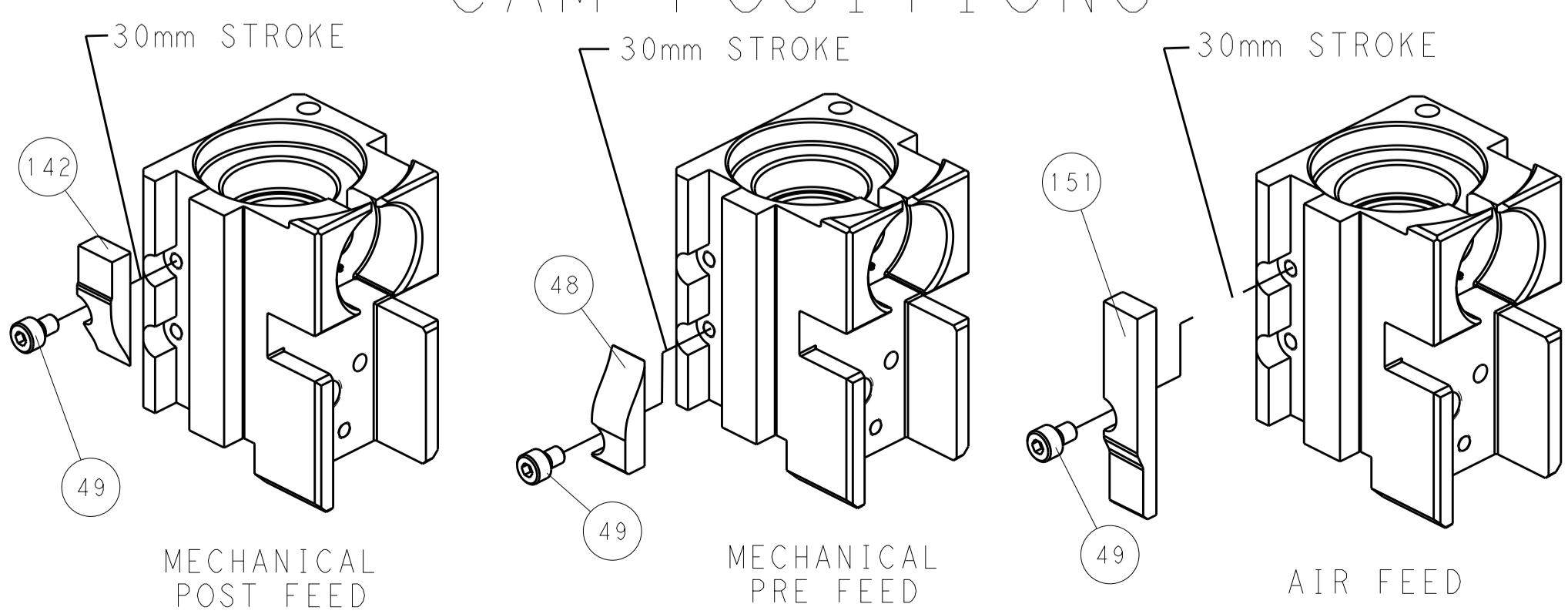
SERVO LATCH PLATE



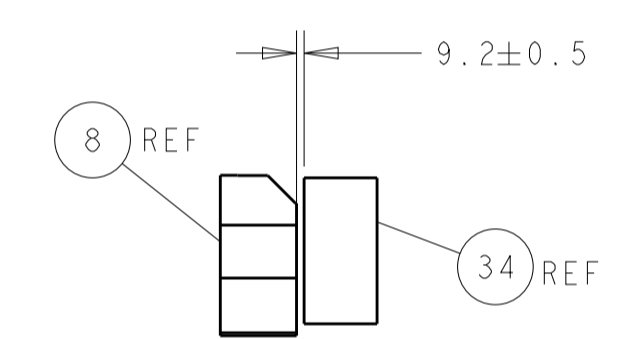
DOUBLE ACTING PNEUMATIC WITH SENSORS



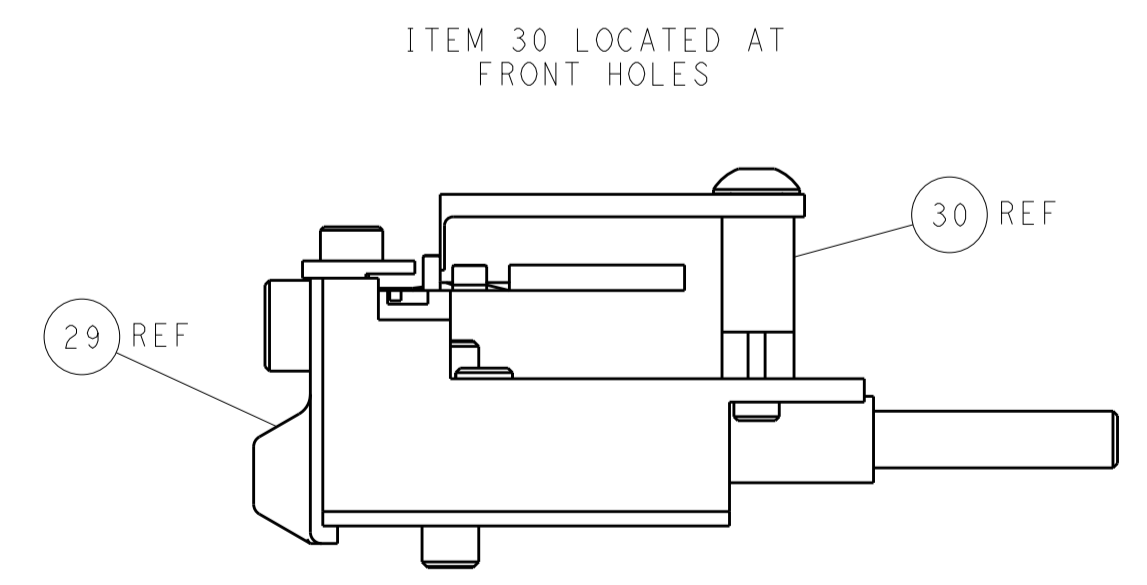
CAM POSITIONS



△ TERMINAL SUPPORT LOCATION



△ TERMINAL SUPPORT LOCATION



FEED TRACK POSITION GUIDE BY INSULATION BARREL

PACIFIC VERSION
 Shown on sheets 3 of 4 & 4 of 4
 (Atlantic version shown on sheets 1 of 4 & 2 of 4)

DIMENSIONS:		TOLERANCES UNLESS OTHERWISE SPECIFIED:		DWN: C. MOYER 31 JUL 2012		TE Connectivity	
mm	0 PLC ±	1 PLC ±	2 PLC ±	3 PLC ±	4 PLC ±	Harrisburg, PA 17105-3608	
MATERIAL:		FINISH:		APVD: T. ELBIN 31 JUL 2012		NAME: Ocean Side Feed Applicator	
				PRODUCT SPEC:		RESTRICTED TO:	
				APPLICATION SPEC:		SIZE: CAGE CODE: DRAWING NO:	
				WEIGHT:		A1 00779 ©=2151725	
				CUSTOMER DRAWING:		SCALE: 1:2 SHEET 4 OF 4 REV 1	