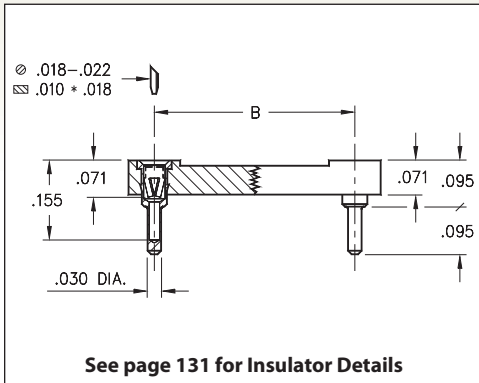
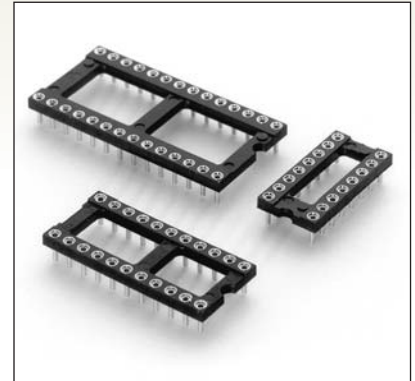


DUAL-IN-LINE SOCKETS

SERIES 115...003 • ULTRA LOW PROFILE • OPEN FRAME



- Our lowest profile DIP socket with an above PCB height of only .095"
- Special short Hi-Rel, 4-finger BeCu #12 contact is rated at 3 amps. See page 252 for details
- Series 115 uses MM #1534 pins. See page 161 for details
- Insulators are high temperature thermoplastic, suitable for all soldering operations
- For Electrical, Mechanical and Environmental Data, see page 264 for details



ORDERING INFORMATION

Total number of pins	Pin Spacing			Quantity per tube	Part Number
	A	B	C		
6	0.3	0.3	0.4	68	115-XX-306-41-003000
8	0.4	0.3	0.4	50	115-XX-308-41-003000
14	0.7	0.3	0.4	28	115-XX-314-41-003000
16	0.8	0.3	0.4	25	115-XX-316-41-003000
18	0.9	0.3	0.4	22	115-XX-318-41-003000
20	1.0	0.3	0.4	20	115-XX-320-41-003000
22	1.1	0.3	0.4	18	115-XX-322-41-003000
24	1.2	0.3	0.4	16	115-XX-324-41-003000
28	1.4	0.3	0.4	14	115-XX-328-41-003000
20	1.0	0.4	0.5	20	115-XX-420-41-003000
22	1.1	0.4	0.5	18	115-XX-422-41-003000
24	1.2	0.4	0.5	16	115-XX-424-41-003000
28	1.4	0.4	0.5	14	115-XX-428-41-003000
24	1.2	0.6	0.7	16	115-XX-624-41-003000
28	1.4	0.6	0.7	14	115-XX-628-41-003000
32	1.6	0.6	0.7	12	115-XX-632-41-003000
36	1.8	0.6	0.7	11	115-XX-636-41-003000
40	2.0	0.6	0.7	10	115-XX-640-41-003000
48	2.4	0.6	0.7	8	115-XX-648-41-003000
50	2.5	0.6	0.7	8	115-XX-650-41-003000

XX=Plating Code
See Below



SPECIFY PLATING CODE XX =	91	93	41	43	44
Sleeve (Pin)	200 μ" Sn/Pb	200 μ" Sn/Pb	200 μ" Sn	200 μ" Sn	200 μ" Sn
Contact (Clip)	10 μ" Au	30 μ" Au	10 μ" Au	30 μ" Au	100 μ" Sn

