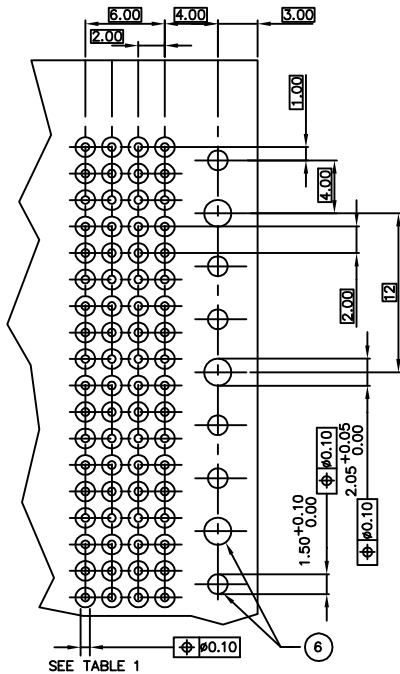
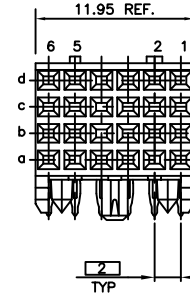
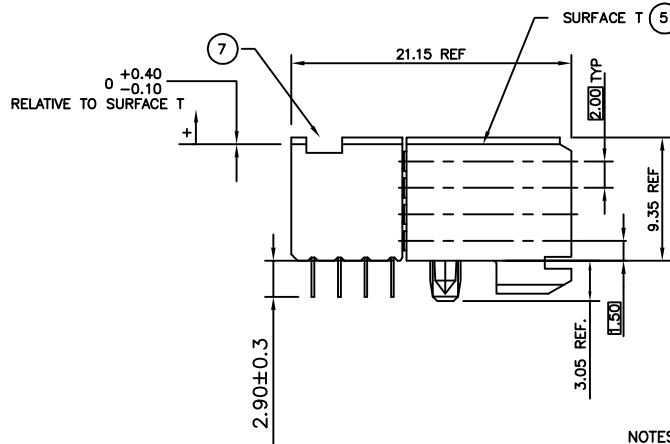


Tous droits strictement réservés. Reproduction ou communication a des tiers interdite sous quelque forme que ce soit sans autorisation écrite du propriétaire. Propriété de c FCI. Droits de reproduction FCI.

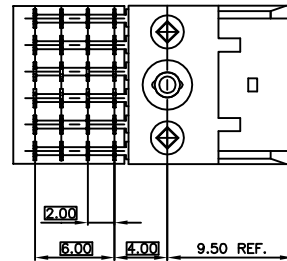


All rights strictly reserved. Reproduction or issue to third parties in any form whatever is not permitted without written authority from the proprietor. Property of FCI. Copyright FCI.

PRODUCT NUMBER
92504-XYX (SEE SHEET 2)
92504-XYLF (SEE SHEET 2)



RECOMMENDED PC BOARD LAYOUT,
COMPONENT SIDE.
SEE NOTE 9



NOTES:

- CONNECTOR MATERIALS:
HOUSING: LCP, 30% GLASS FILLED, UL 94-V0 COMPLIANT
TERMINAL: PHOSPHOR BRONZE ALLOY
- PRESS-FIT TAIL PLATING: 0.5-1.5 μm TIN LEAD
- PRODUCT SPECIFICATION:
GS-12-002
- APPLICATION SPECIFICATIONS:
BUS-20-061
GS-20-001
TA-941
- PRODUCT MARKING: (PART NUMBER & LOT CODE).
- INDICATED HOLES ARE UNPLATED.
- TOP SURFACE OF PRESS BLOCK MAY EXTEND UP TO 0.4MM HIGHER THAN HOUSING. THIS MAY AFFECT THE TAIL LENGTH BEFORE APPLICATION TO A BOARD.
- VIA-HOLES MAY BE OMITTED ON CONTACT POSITIONS "NOT LOADED".
- THESE PRODUCTS WHERE THE PART NUMBER ENDS IN "LF" MEET THE EUROPEAN UNION DIRECTIVES AND OTHER COUNTRY REGULATIONS AS DESCRIBED IN GS-22-008.

ALL PRODUCTS WILL WITHSTAND EXPOSURE TO 240°C FOR 60 SECONDS IN A CONVECTION, INFRARED OR VAPOR PHASE REFLOW OVEN.
- FOR LEAD FREE PART NUMBERS ADD "LF" SUFFIX. EXAMPLE: 92504-XYLF.

TABLE 1 PLATED THRU HOLE REQUIREMENTS	
HOLE DIAMETER AFTER PLATING	0.65-0.80
DRILLED HOLE	0.81-0.86 (0.85 DRILL)
COPPER PLATING	0.025 - 0.05
SnPb PLATING	0.005-0.015

mat'l. code				tolerances unless otherwise specified		CUSTOMER COPY		www.fciconnect.com	
NOTE 1									
ltr	ecn no	dr	date	linear	.X ±.3	projection		title	
L	DG07-0171	Cenh	05/25/07		.XX ±.10			B SERIES R/A SIGNAL RECEPT ASSY	
M	DG07-0438	Cenh	11/02/07		.XXX ±.050		4 ROW, 1 MOD, SL, PF		
N	DG08-0171	TER	8/21/08	angles	0° ±2'	product family METRAL (tm)		code	
P	DG09-0068	Cenh	06/06/09	dr	STU STONER 8/19/94	size		213	
-	-	-	-	enrg	R.DOETRICH 8/19/94	dwg no		sheet	
J	V05-0074	LP	4/12/05	chr	STU STONER 8/19/94	scale		1 of 2	
K	V05-0522	DAI	06/29/05	appd	STU STONER 8/19/94	1:1			
sheet index	revision sheet	P	P						
		1	2						



title
B SERIES R/A SIGNAL RECEPT ASSY
4 ROW, 1 MOD, SL, PF
product family METRAL (tm)
size dwg no
A 92504
code
213
sheet
1 of 2

cage code
22526

Tous droits strictement reserves. Reproduction ou communication a des tiers interdite sous quelque forme que ce soit sans autorisation ecrite du proprietaire. Propriete de c FCI. Droits de reproduction FCI.



All rights strictly reserved. Reproduction or issue to third parties in any form whatever is not permitted without written authority from the proprietor. Property of FCI. Copyright FCI.

PART NUMBER:	CONFIGURATION						
	ROW #	6	5	4	3	2	1
92504-X02 SEE NOTE 11 LEAD FREE OPTION	D	X	-	X	-	X	-
	C	X	-	X	-	X	-
	B	X	-	X	-	X	-
	A	X	-	X	-	X	-
92504-X03 SEE NOTE 11 LEAD FREE OPTION	D	-	-	X	-	X	-
	C	-	X	-	-	-	X
	B	X	-	X	-	X	-
	A	-	X	-	-	-	X
92504-X04 SEE NOTE 11 LEAD FREE OPTION	D	X	-	X	-	X	X
	C	-	-	X	-	X	X
	B	X	-	X	-	X	X
	A	X	-	X	-	X	X
92504-X05 SEE NOTE 11 LEAD FREE OPTION	D	X	-	X	X	-	X
	C	-	X	-	-	X	-
	B	X	-	X	X	-	X
	A	-	X	-	-	X	-
92504-X06 SEE NOTE 11 LEAD FREE OPTION	D	-	-	X	X	X	-
	C	-	X	-	X	-	X
	B	X	-	X	X	X	-
	A	-	X	-	X	-	X

"X" = CONTACT LOADED
 "-" = EMPTY POSITION

PLATING CONTACT AREA:	
DASH NR:	PERFORMANCE LEVEL
-1YY/1YLF	TELCORDIA CO
-2YY/2YLF	CUSTOMER SPECIAL
-3YY/3YLF	CUSTOMER SPECIAL

mat'l. code				tolerances unless otherwise specified		CUSTOMER COPY		 www.fciconnect.com	
NOTE 1									
ltr	ecr no	dr	date	linear	.X ±.3	projection	title		
N					.XX ±.10		B SERIES R/A SIGNAL RECEPT ASSY		
				angles	.XXX ±.050		4 ROW, 1 MOD, SL, PF		
				dr	STU STONER 8/19/94		product family METRAL (tm)		code
				engr	R.DOUTRICH 8/19/94		size dwg no		213
				chr	STU STONER 8/19/94	scale	A 92504		sheet
				appd	STU STONER 8/19/94	1:1			2 of
sheet index	revision sheet								