

P/N (See note 4)
85758-XYZZLF

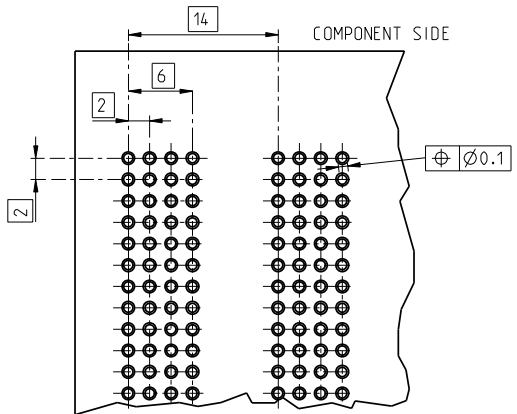
With
 X : Plating dash number
 Y : Termination dash number
 ZZ: Loading dash number

X	PLATING CONTACT AREA
1	STANDARD PLATING See product specification GS-12-447

Y	DIMENSION A
1	4.3
2	13.6

ZZ	CONTACT LOADING
	SEE NEXT PAGE

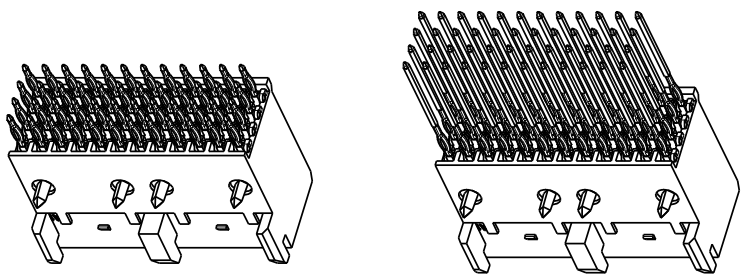
RECOMMENDED LAYOUT



GENERAL CHARACTERISTIC AND ROHS INFORMATIONS
 SEE PRODUCT SPECIFICATION : GS-12-447

NOTES :

- 1 - FLAT ROCK PRODUCT, NO SPECIFIC TOOL NEEDED FOR PRESS-FIT INSERTION
- 2 - PRESS-FIT : EON SHAPE
- 3 - TUBE PACKAGING : SEE NEXT PAGE
- 4 - STANDARD PLATING ON PRESS FIT AREA : PURE TIN
TIN LEAD PLATING AVAILABLE ONLY FOR CONTACT LENGTH Y : "1" ON REQUEST



rev	ecn no	dr	date
P	F12-0026	APA	2012/03/12
-	-	-	-
J	LS05-0076	LGO	2005/09/01
K	LS06-0097	LGO	2006/07/08
L	LS07-0142	MLE	2007/05/21
M	F10-0027	LSA	2010/04/14
N	F11-0046	LSA	2010/05/04

www.fciconnect.com		surface	tolerance std	projection	mm
		ISO 1302	ISO 406	ISO 1101	
TOLERANCES UNLESS OTHERWISE SPECIFIED					
Dr	A.PARRENIN	2011/05/25	ANGULAR	0.X	±0.3
Eng	A.PARRENIN	2011/05/25	LINEAR	0.XX	±0.1
Chr	F.MORILLAS	2011/05/25	0°	0.XXX	±0.05
Appr	J.PETIT	2011/05/25	Product family		ECN F12-0026
				METRAL	Spec ref
Title METRAL RCP STR 4 RAW					Rev. P
4 x 12 SIGNAL - FLAT ROCK					C-85758
catalog no					CUSTOMER sheet 1 of 2

FCI CONFIDENTIAL



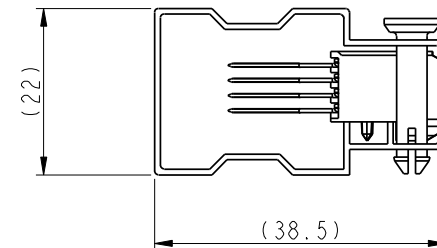
This document is the property of and embodies CONFIDENTIAL and PROPRIETARY information of FCI. No part of the information shown on this document may be used in any way or disclosed to others without the written consent of FCI. Copyright FCI.

REV E - 2006-03-28

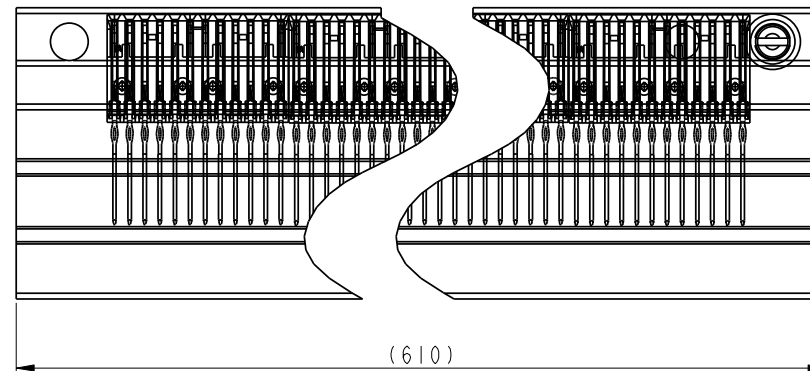
CONTACT LOADINGS

LEAD FREE PART NUMBER	POS	CONFIGURATION											
		12	11	10	9	8	7	6	5	4	3	2	1
85758-XY01LF	D	X	X	X	X	X	X	X	X	X	X	X	X
	C	X	X	X	X	X	X	X	X	X	X	X	X
	B	X	X	X	X	X	X	X	X	X	X	X	X
	A	X	X	X	X	X	X	X	X	X	X	X	X
85758-XY02LF	D	-	X	-	X	-	X	-	X	-	X	-	X
	C	X	-	X	-	X	-	X	-	X	-	X	-
	B	-	X	-	X	-	X	-	X	-	X	-	X
	A	X	-	X	-	X	-	X	-	X	-	X	-
	D												
	C												
	B												
	A												

PACKAGING

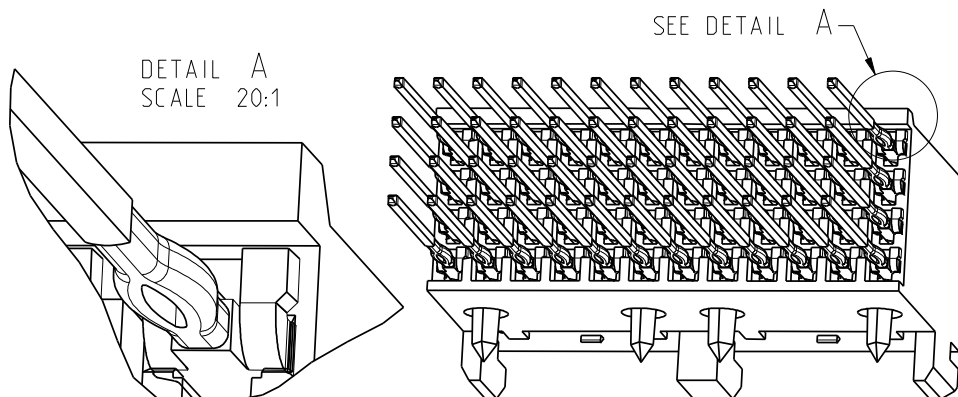


SCALE 3:2



QTY / TUBE 24

PRESS FIT DETAILS



DETAIL A
SCALE 20:1

Material	-	Spec ref			
Mat code	-	surface	-	tolerance	projection
Heatreat	-	ISO 1302	ISO 406	ISO 1101	mm
Plating/Finish	-	ISO 1302	ISO 406	ISO 1101	mm
Dr	A.PARRENIN	2011/05/25			size
Eng	A.PARRENIN	2011/05/25	Product family	METRAL	A3
Chr	F.MORILLAS	2011/05/25	Model Name	85758-X12Z	Scale 3:1
Appr	J.PETIT	2011/05/25	Model Revision	1	ECN F12-0026
			REL Level	1	CONCEPT
		title METRAL RCP STR 4 RAW 4 x 12 SIGNAL - FLAT ROCK		no C-85758	
Pro/E file catalog no		-		CUSTOMER sheet 2 of 2	

PDM: Rev:P

STATUS Released

Printed: Apr 06, 2012